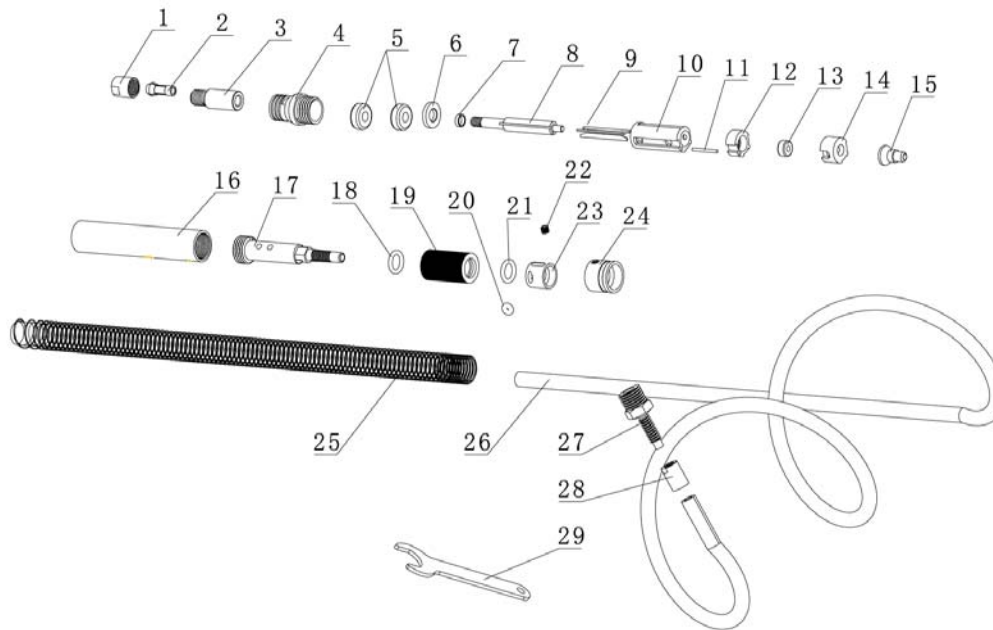


Druckluft Stabschleifer Set Pneumatic 5 xial ; rinder Get



Part No.	Description	Qty.
01	Collet cap	1
02	Collet	1
03	Collet holder	1
04	Housing sleeve	1
05	Bearing	2
06	Major collar	1
07	Minor collar	1
08	Rotor	1
09	Rotor blade	3
10	Cylinder	1
11	Fixing bolt	1
12	Front cover	1
13	Bearing	1
14	Rear cover	1
15	Valve holder	1

Part No.	Description	Qty.
16	Main housing	1
17	Hose connector	1
18	O-ring	1
19	Switch collar	1
20	O-ring	1
21	O-ring	1
22	Hex screw	1
23	Axle collar	1
24	Exhaust fixer	1
25	Braided hose cover	1
26	Air hose	1
27	Inlet nipple	1
28	Nut	1
29	Spanner	1

TECHNICAL DATA:

- Free Speed: 54,000 RPM
- Capacity: 1/8" (3 MM)
- Air Inlet (PT): 1/4"
- Air Hose (ID): 3/8"
- Avg. Air Consumption: 2 CFM (57 L/MIN)
- Working Pressure: 90 PSI (6.3 BAR)
- Weight: 0.20 KGS (0.44 LBS)

**EU-Konformitätserklärung**
EC DECLARATION OF CONFORMITY

Wir erklären in alleiniger Verantwortung, dass die Bauart der:
We declare that the following designated product:

Druckluft-Stabschleifer-Set 17-tlg. (BGS Art. 3249)
17-pcs. Micro Grinder Set AT-3170

folgenden einschlägigen Bestimmungen entspricht:
complies with the requirements of the:

EC Council Directive 98/37/EC

Angewandte Normen:

Identification of regulations / standards:

EN 792-9:2001

Report No.: JSH0405095-004

Wermelskirchen, den 03.11.2009

ppa.

Frank Schottke, Prokurist

BGS-technic KG, Bandwirker Str. 3, D-42929 Wermelskirchen