



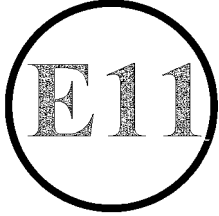
VCA Headquarters

1 The Eastgate Office Centre
Eastgate Road
Bristol, BS5 6XX
United Kingdom

Switchboard: +44 (0) 117 951 5151
Direct line: +44 (0) 117 952 4171
Main Fax: +44 (0) 117 952 4103
Email: enquiries@vca.gov.uk
Web: www.vca.gov.uk

THE UNITED KINGDOM VEHICLE APPROVAL AUTHORITY

Rev 1/03



COMMUNICATION CONCERNING THE APPROVAL GRANTED OF
A REPLACEMENT BRAKE LINING ASSEMBLY OR REPLACEMENT
DRUM LINING PURSUANT TO ECE REGULATION NO: 90.01

Approval No: 90R-01184 / 3270

1. Applicant's name and address:

Juratek Ltd. Unit 16, Carcroft Enterprise Park, Station Road, Doncaster DN6 8DD

2. Manufacturer's name and address:

3. Make and type of brake lining assembly: DP11641, DP11728.

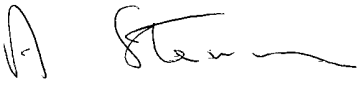
4. Make and type of brake lining: TD3

5. Vehicles/axles/brakes for which the brake lining assembly/drum brake lining type qualifies as original brake lining assembly: Not applicable

6. Vehicles for which the brake lining assembly qualifies as replacement brake lining assembly: See manufacturers Documents :-

An executive agency of the Department for Transport



7. Submitted for approval on: 30 October 2006
8. Technical Service responsible for approval tests: Vehicle Certification Agency
- 8.1 Date of test report: 14/08/06, 20/11/06, 15/08/06.
- 8.2 Number of test report: VSG076369, VSG078081, VSG078079.
9. Approval: GRANTED
10. Place: BRISTOL
11. Date: 24 SEPTEMBER 2007
12. Signature:  A. W. STENNING
Head of Product Certification
13. Annexed to this communication is a list of documents in the approval file deposited at the administrative services having delivered the approval and which can be obtained upon request.

VSG078071



30/10/06	VCA Job No	VSG078071
----------	-------------------	-----------

Dear Ted,

Please find enclosed the necessary documentation for you to submit applications for approval for various brake lining assemblies DP11641, DP11728 in TD3 material pursuant to ECE Regulation No. 90/1. This application is on behalf of Juratek Ltd and cross-references to our DP TD3 application details. We would like the application made to the VCA; I have addressed the formal letter of application accordingly.

The documents contained are: -

1. Formal letter of application
2. Manufacturers declarations
3. Lab test results :-
 - Friction test results
 - Shear test results
 - Compressibility test results
4. Vehicle fitment details
5. Disc pad assembly drawings
6. General disc pad marking drawing

Please note: Allocated with E11 90R-01184/3270 as a provisional number. This approval is based on VSG076369, VSG078081 and VSG078079 plus additional OE Materials testing on VSG076364.

Yours sincerely,



Susan Owens
Q.B.T.



30/10/06	VCA Job No	VSG078071
----------	-------------------	-----------

For vehicles / axles / brakes for which the lining assembly qualifies as replacement brake lining assembly, see following application list.

Assembly Number	Equivalent to	Also supplied as Assembly Number
DP11641 TD3	Equivalent to	SLB1659 leca-TD3
DP11728 TD3	Equivalent to	SLB1659 leca-TD3

Yours faithfully



Susan Owens
Q.B.T.



30/10/06	VCA Job No	VSG078071
----------	------------	-----------

Manufacturer's Declaration

for granting of Approval for replacement brake lining according to ECE Regulation No. 90/1.

We, the company

declare herewith that

Replacement pad assemblies DP11641 TD3, DP11728 TD3

are produced in our factory

We certify that no application has been made regarding this permission/approval by us or by companies appointed by us in countries which as contract parties would also be entitled to grant permission/approval.

We are aware of the following: -

A type marking of vehicles/vehicle components of the above mentioned type with the officially assigned approval mark can only be granted if the products have been manufactured in the above mentioned factory or at one of our listed and approved manufacturing sites, and if they comply with the official approval documents.

Companies manufacturing products for our company or under license may not use the officially assigned approval mark for vehicles/vehicle components produced at their factories unless they are listed as an approved manufacturing site, and fully comply with our quality procedures.

A marking of vehicles/vehicle components of the above mentioned type with different factory or trade marks but the same approval mark is only permissible if written consent has been obtained from the Vehicle Certification Agency.



Susan Owens
Q.B.T.



30/10/06	VCA Job No	VSG078071
----------	------------	-----------

Friction test results

Conducted in accordance with Annex 8, of ECE Regulation No. 90 Rev1 including supplement 2 to the 01 series of amendments. (TRANS/SC1/WP29/GRRF/R90 Rev 1).

Type of assembly: Part Number DP11094 in material TD3
(Previously agreed single test reference)

Type of test:	Constant torque (para. 2.2.2.2)
$\mu_{op: 1}$	0.354
$\mu_{op: 2}$	0.361
$\mu_{min:}$	0.278
$\mu_{max:}$	0.422

Test dates: 02/06/2006



Susan Owens
Q.B.T.



30/10/06	VCA Job No	VSG078071
----------	------------	-----------

Bench tests

Manufacturer:			
Type of brake lining assy:	DP11094 TD3	Page	1/2

1. Shear strength test¹
(5.3.2.1 of ECE Regulation No. 90 Rev 1)

- Sample

Type of assembly: DP11094 TD3

Shear area [cm²]: 43.46

- Shear strength measured

Mean value [N/cm²]: 630

Required [N/cm²]: 250

Test date: 03/06/2006

1) Test procedure according to ISO Standard 6312 (2001)



Susan Owens
Q.B.T.



30/10/06	VCA Job No	VSG078071	
Manufacturer:			
Type of brake lining assy:	DP11094 TD3	Page	2/2

2. Compressibility test²
(5.3.2.2 of ECE Regulation No. 90 Rev 1)

- Sample

Type: III
Type of assembly: DP11094 TD3
Thickness, d_0 (nominal value) [mm]: 18.5
Pad area [cm²]: 43.464
Ram dia (corresponding to caliper piston dia) [mm]: 54

- Compressibility at specific surface pressure of 8000 kPa

Measured at ambient temperature

Mean value: $\frac{d_4 - d'_3}{d_0} = 0.16 \%$

Required: $\leq 2\%$

Measured at 400°C

Mean value: $\frac{d_4 - d'_3}{d_0} = 0.65\%$

Required: $\leq 5\%$

Test dates: 03/06/2006

2) Test procedure according to ISO Standard 6310 (2001)



Susan Owens
Q.B.T.



MAKE	MODEL 1	MODEL 2	MODEL 3	MODEL 4	MODEL 5	F/R	D	A	T	E	OE Caliper Manufacturer	S/V Dr	Disc / Dia	Max Th / Shoe Width
DP11641	AUDI	A3 (03-->)	1.6i 16V	17" wheels		F	03	03			Ate	V	288	25
DP11641	AUDI	A3 (03-->)	1.9 TDi	17" wheels		F	03	03			Ate	V	288	25
DP11641	AUDI	A3 (03-->)	2.0 FSi 16V	17" wheels		F	03	03			Ate	V	288	25
DP11641	AUDI	A3 (03-->)	2.0 FSi 16V Quattro	17" wheels		F	03	03			Ate	V	288	25
DP11641	AUDI	A3 (03-->)	2.0i TDi	17" wheels		F	03	03			Ate	V	288	25
DP11641	SEAT	Altea	1.6i 16V	15" wheels		F	05	04			Ate	V		
DP11641	SEAT	Altea	1.9 TDi	15" wheels		F	05	04			Ate	V		
DP11641	SEAT	Altea	2.0i 16V			F	05	04			Ate	V		
DP11641	SEAT	Altea	2.0 TDi			F	05	04			Ate	V		
DP11641	SEAT	Toledo (11/04-->)	1.6i	15" wheels		F	11	04			Ate	V		
DP11641	SEAT	Toledo (11/04-->)	1.9 TDi	15" wheels		F	11	04			Ate	V		
DP11641	SEAT	Toledo (11/04-->)	2.0i 16V			F	11	04			Ate	V		
DP11641	SEAT	Toledo (11/04-->)	2.0 TDi			F	11	04			Ate	V		
DP11641	SKODA	Octavia (05/04-->)	1.6i 16V	15" wheels		F	05	04			Ate	V		
DP11641	SKODA	Octavia (05/04-->)	1.9 TDi	15" wheels		F	05	04			Ate	V		
DP11641	SKODA	Octavia (05/04-->)	2.0i 16V			F	05	04			Ate	V		
DP11641	SKODA	Octavia (05/04-->)	2.0 TDi			F	05	04			Ate	V		
DP11641	VOLKSWAGEN	Golf Mk V	1.4i 16V	16" wheels, 17" wheels		F	10	03			Ate	V	288	25
DP11641	VOLKSWAGEN	Golf Mk V	1.6i 16V	16" wheels, 17" wheels		F	10	03			Ate	V	288	25
DP11641	VOLKSWAGEN	Golf Mk V	1.9 TDi	16" wheels, 17" wheels		F	10	03			Ate	V	288	25
DP11641	VOLKSWAGEN	Golf Mk V	2.0 FSi 16V	16" wheels, 17" wheels		F	10	03			Ate	V	288	25
DP11641	VOLKSWAGEN	Golf Mk V	2.0 FSi 16V 4Motion	16" wheels, 17" wheels		F	10	03			Ate	V	288	25
DP11641	VOLKSWAGEN	Golf Mk V	2.0i TDi	16" wheels, 17" wheels		F	10	03			Ate	V	288	25
DP11641	VOLKSWAGEN	Golf Mk V	2.0i TDi 4Motion	16" wheels, 17" wheels		F	10	03			Ate	V	288	25
DP11641	VOLKSWAGEN	Golf Plus	1.4i 16V	16" wheels, 17" wheels		F	10	03			Ate	V	288	25
DP11641	VOLKSWAGEN	Golf Plus	1.6i 16V	16" wheels, 17" wheels		F	10	03			Ate	V	288	25
DP11641	VOLKSWAGEN	Golf Plus	1.9 TDi	16" wheels, 17" wheels		F	10	03			Ate	V	288	25
DP11641	VOLKSWAGEN	Golf Plus	2.0 FSi 16V	16" wheels, 17" wheels		F	10	03			Ate	V	288	25
DP11641	VOLKSWAGEN	Golf Plus	2.0i TDi	16" wheels, 17" wheels		F	10	03			Ate	V	288	25
DP11641	VOLKSWAGEN	Jetta III	1.6i 16V			F	08	05			Ate	V	288	25
DP11641	VOLKSWAGEN	Jetta III	1.9 TDi			F	08	05			Ate	V	288	25
DP11641	VOLKSWAGEN	Jetta III	2.0 FSi 16V			F	08	05			Ate	V	288	25
DP11641	VOLKSWAGEN	Jetta III	2.0i TDi			F	08	05			Ate	V	288	25
DP11641	VOLKSWAGEN	Jetta III	2.0i TDi			F	08	05			Ate	V	312	25
DP11641	VOLKSWAGEN	Jetta III	2.0 TFSi 16V			F	08	05			Ate	V	288	25
DP11641	VOLKSWAGEN	Jetta III	2.0 TFSi 16V			F	08	05			Ate	V	312	25
DP11641	VOLKSWAGEN	Passat Mk VII	1.6i			F	03	05			Ate	V		
DP11641	VOLKSWAGEN	Passat Mk VII	1.9 TDi			F	03	05			Ate	V		
DP11641	VOLKSWAGEN	Passat Mk VII	2.0 FSi 16V			F	03	05			Ate	V		
DP11641	VOLKSWAGEN	Passat Mk VII	2.0 TDi			F	03	05			Ate	V		
DP11641	VOLKSWAGEN	Passat Mk VII	2.0 TFSi 16V			F	03	05			Ate	V	312	25
DP11641	VOLKSWAGEN	Passat Mk VII	3.2i Quattro			F	03	05			Ate	V	312	25
DP11641	VOLKSWAGEN	Touran	1.6i 16V	15" wheels		F	05	03			Ate	V	288	25
DP11641	VOLKSWAGEN	Touran	1.9 TDi	15" wheels		F	05	03			Ate	V	288	25
DP11641	VOLKSWAGEN	Touran	2.0i 16V			F	05	03			Ate	V	288	25
DP11641	VOLKSWAGEN	Touran	2.0 TDi			F	05	03			Ate	V	288	25
DP11641	VOLKSWAGEN	Caddy III	1.4i 16V	16" wheels, 17" wheels		F	03	04			Ate	V	288	25
DP11641	VOLKSWAGEN	Caddy III	1.6i 16V	16" wheels, 17" wheels		F	03	04			Ate	V	288	25
DP11641	VOLKSWAGEN	Caddy III	1.9 TDi	16" wheels, 17" wheels		F	03	04			Ate	V	288	25
DP11641	VOLKSWAGEN	Caddy III	2.0 FSi 16V	16" wheels, 17" wheels		F	03	04			Ate	V	288	25
DP11641	VOLKSWAGEN	Caddy III	2.0i TDi	16" wheels, 17" wheels		F	03	04			Ate	V	288	25
DP11728	AUDI	A3 (03-->)	1.6i 16V	17" wheels		F	03	03			Ate	V	288	25
DP11728	AUDI	A3 (03-->)	1.9 TDi	17" wheels		F	03	03			Ate	V	288	25
DP11728	AUDI	A3 (03-->)	2.0 FSi 16V	17" wheels		F	03	03			Ate	V	288	25
DP11728	AUDI	A3 (03-->)	2.0 FSi 16V Quattro	17" wheels		F	03	03			Ate	V	288	25
DP11728	AUDI	A3 (03-->)	2.0i TDi	17" wheels		F	03	03			Ate	V	288	25
DP11728	CITROEN	C4	2.0 HDi			F	10	04			Ate	V		
DP11728	CITROEN	C4	2.0i 16V			F	10	04			Ate	V		
DP11728	PEUGEOT	307	2.0i 16V			F	01	04			Ate	V		
DP11728	PEUGEOT	307 CC	2.0 HDi			F	01	04			Ate	V		
DP11728	PEUGEOT	307 CC	2.0i 16V			F	01	04			Ate	V		
DP11728	SEAT	Altea	1.6i 16V	15" wheels		F	05	04			Ate	V		
DP11728	SEAT	Altea	1.9 TDi	15" wheels		F	05	04			Ate	V		
DP11728	SEAT	Altea	2.0i 16V			F	05	04			Ate	V		
DP11728	SEAT	Altea	2.0 TDi			F	05	04			Ate	V		
DP11728	SEAT	Toledo (11/04-->)	1.6i	15" wheels		F	11	04			Ate	V		
DP11728	SEAT	Toledo (11/04-->)	1.9 TDi	15" wheels		F	11	04			Ate	V		
DP11728	SEAT	Toledo (11/04-->)	2.0i 16V			F	11	04			Ate	V		
DP11728	SEAT	Toledo (11/04-->)	2.0 TDi			F	11	04			Ate	V		
DP11728	SKODA	Octavia (05/04-->)	1.6i 16V	15" wheels		F	05	04			Ate	V		

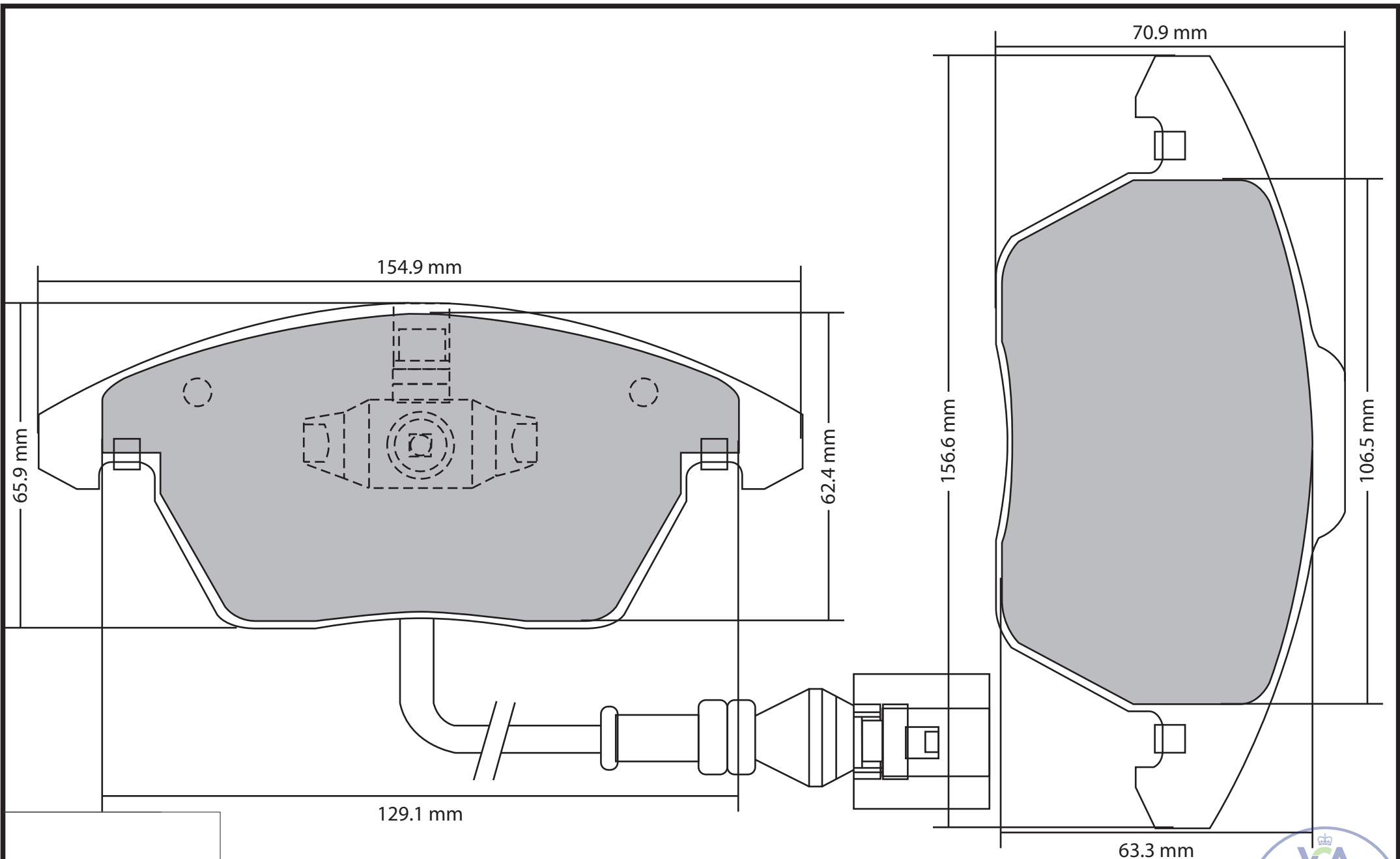


DP11728	SKODA	Octavia (05/04-->)	1.9 TDi	15" wheels			F	05	04		Ate	V		
DP11728	SKODA	Octavia (05/04-->)	2.0i 16V				F	05	04		Ate	V		
DP11728	SKODA	Octavia (05/04-->)	2.0 TDi				F	05	04		Ate	V		
DP11728	VOLKSWAGEN	Golf Mk V	1.4i 16V	16" wheels, 17" wheels			F	10	03		Ate	V	288	25
DP11728	VOLKSWAGEN	Golf Mk V	1.6i 16V	16" wheels, 17" wheels			F	10	03		Ate	V	288	25
DP11728	VOLKSWAGEN	Golf Mk V	1.9 TDi	16" wheels, 17" wheels			F	10	03		Ate	V	288	25
DP11728	VOLKSWAGEN	Golf Mk V	2.0 FSi 16V	16" wheels, 17" wheels			F	10	03		Ate	V	288	25
DP11728	VOLKSWAGEN	Golf Mk V	2.0 FSi 16V 4Motion	16" wheels, 17" wheels			F	10	03		Ate	V	288	25
DP11728	VOLKSWAGEN	Golf Mk V	2.0i TDi	16" wheels, 17" wheels			F	10	03		Ate	V	288	25
DP11728	VOLKSWAGEN	Golf Mk V	2.0i TDi 4Motion	16" wheels, 17" wheels			F	10	03		Ate	V	288	25
DP11728	VOLKSWAGEN	Golf Plus	1.4i 16V	16" wheels, 17" wheels			F	10	03		Ate	V	288	25
DP11728	VOLKSWAGEN	Golf Plus	1.6i 16V	16" wheels, 17" wheels			F	10	03		Ate	V	288	25
DP11728	VOLKSWAGEN	Golf Plus	1.9 TDi	16" wheels, 17" wheels			F	10	03		Ate	V	288	25
DP11728	VOLKSWAGEN	Golf Plus	2.0 FSi 16V	16" wheels, 17" wheels			F	10	03		Ate	V	288	25
DP11728	VOLKSWAGEN	Golf Plus	2.0i TDi	16" wheels, 17" wheels			F	10	03		Ate	V	288	25
DP11728	VOLKSWAGEN	Jetta III	1.6i 16V				F	08	05		Ate	V	288	25
DP11728	VOLKSWAGEN	Jetta III	1.9 TDi				F	08	05		Ate	V	288	25
DP11728	VOLKSWAGEN	Jetta III	2.0 FSi 16V				F	08	05		Ate	V	288	25
DP11728	VOLKSWAGEN	Jetta III	2.0i TDi				F	08	05		Ate	V	288	25
DP11728	VOLKSWAGEN	Jetta III	2.0i TDi				F	08	05		Ate	V	312	25
DP11728	VOLKSWAGEN	Jetta III	2.0 TFSi 16V				F	08	05		Ate	V	288	25
DP11728	VOLKSWAGEN	Jetta III	2.0 TFSi 16V				F	08	05		Ate	V	312	25
DP11728	VOLKSWAGEN	Passat Mk VII	1.6i				F	03	05		Ate	V		
DP11728	VOLKSWAGEN	Passat Mk VII	1.9 TDi				F	03	05		Ate	V		
DP11728	VOLKSWAGEN	Passat Mk VII	2.0 FSi 16V				F	03	05		Ate	V		
DP11728	VOLKSWAGEN	Passat Mk VII	2.0 TDi				F	03	05		Ate	V		
DP11728	VOLKSWAGEN	Passat Mk VII	2.0 TFSi 16V				F	03	05		Ate	V	312	25
DP11728	VOLKSWAGEN	Passat Mk VII	3.2i Quattro				F	03	05		Ate	V	312	25
DP11728	VOLKSWAGEN	Touran	1.6i 16V	15" wheels			F	05	03		Ate	V	288	25
DP11728	VOLKSWAGEN	Touran	1.9 TDi	15" wheels			F	05	03		Ate	V	288	25
DP11728	VOLKSWAGEN	Touran	2.0i 16V				F	05	03		Ate	V	288	25
DP11728	VOLKSWAGEN	Touran	2.0 TDi				F	05	03		Ate	V	288	25
DP11728	VOLKSWAGEN	Caddy III	1.4i 16V	16" wheels, 17" wheels			F	03	04		Ate	V	288	25
DP11728	VOLKSWAGEN	Caddy III	1.6i 16V	16" wheels, 17" wheels			F	03	04		Ate	V	288	25
DP11728	VOLKSWAGEN	Caddy III	1.9 TDi	16" wheels, 17" wheels			F	03	04		Ate	V	288	25
DP11728	VOLKSWAGEN	Caddy III	2.0 FSi 16V	16" wheels, 17" wheels			F	03	04		Ate	V	288	25
DP11728	VOLKSWAGEN	Caddy III	2.0i TDi	16" wheels, 17" wheels			F	03	04		Ate	V	288	25

CALIPER ACTUATION	BRAKING SPLIT F/R, DIAG or H / I	CALIPER PISTON DIA	HERST NUMBER	TYP / SCHL NUMBER	VEHICLE /							
					MAX SPEED Km/h	80% V MAX Km/h	AXLE WEIGHT UN-LADEN	VEHICLE WEIGHT LADEN	ENERGY FACTOR .5 MV 2	MAXIMUM ROLLING RADIUS	INERTIA UNLADEN	VEHICLE INERTIA LADEN
Hyd	Diag		0588		192	154	1359	1770	20879770	0.33	56.9781135	74.209905
Hyd	Diag		0588		187	150	1425	1850	20701648	0.33	59.7452625	77.564025
Hyd	Diag		0588		235	188	1392	1860	32869920	0.33	58.361688	77.98329
Hyd	Diag		0588		235	188			0	0.33	0	0
Hyd	Diag		0588		203	162	1427	1870	24659466	0.33	59.8291155	78.402555
Hyd	Diag		7593		186	149	1423	2090	23137805	0.33	59.6614095	87.626385
Hyd	Diag		7593		177	142	1498	2160	21654605	0.33	62.805897	90.56124
Hyd	Diag		7593		201	161	1509	2170	28054454	0.33	63.2670885	90.980505
Hyd	Diag		7593		197	158	1561	2210	27445725	0.33	65.4472665	92.657565
Hyd	Diag		7593		179	143	1422	2160	22146739	0.33	59.619483	90.56124
Hyd	Diag		7593		182	146	1507	2160	22895309	0.33	63.1832355	90.56124
Hyd	Diag		7593		205	164	1472	2170	29182160	0.33	61.715808	90.980505
Hyd	Diag		7593		200	160	1527	2210	28288000	0.33	64.0217655	92.657565
Hyd	Diag		8004		186	149	1423	2090	23137805	0.33	59.6614095	87.626385
Hyd	Diag		8004		177	142	1498	2160	21654605	0.33	62.805897	90.56124
Hyd	Diag		8004		201	161	1509	2170	28054454	0.33	63.2670885	90.980505
Hyd	Diag		8004		197	158	1561	2210	27445725	0.33	65.4472665	92.657565
Hyd	Diag		0603		174	139	1319	1750	16954560	0.33	55.3010535	73.371375
Hyd	Diag		0603		192	154	1359	1800	21233664	0.33	56.9781135	75.4677
Hyd	Diag		0603		187	150	1425	1880	21037350	0.33	59.7452625	78.82182
Hyd	Diag		0603		235	188	1392	1860	32869920	0.33	58.361688	77.98329
Hyd	Diag		0603		225	180	1451	1980	32076000	0.33	60.8353515	83.01447
Hyd	Diag		0603		203	162	1427	1870	24659466	0.33	59.8291155	78.402555
Hyd	Diag		0603		200	160	1576	1980	25344000	0.33	66.076164	83.01447
Hyd	Diag		0603		171	137	1468	1900	17778528	0.33	61.548102	79.66035
Hyd	Diag		0603		189	151	1498	1960	22404211	0.33	62.805897	82.17594
Hyd	Diag		0603		181	145	1572	2030	21281546	0.33	65.908458	85.110795
Hyd	Diag		0603		205	164	1531	2010	27030480	0.33	64.1894715	84.272265
Hyd	Diag		0603		202	162	1603	2050	26767424	0.33	67.2081795	85.949325
Hyd	Diag		0603		189	151	1498	1960	22404211	0.33	62.805897	82.17594
Hyd	Diag		0603		181	145	1572	2030	21281546	0.33	65.908458	85.110795
Hyd	Diag		0603		205	164	1531	2010	27030480	0.33	64.1894715	84.272265
Hyd	Diag		0603		202	162	1603	2050	26767424	0.33	67.2081795	85.949325
Hyd	Diag		0603		202	162	1603	2050	26767424	0.33	67.2081795	85.949325
Hyd	Diag		0603		205	164	1531	2010	27030480	0.33	64.1894715	84.272265
Hyd	Diag		0603		205	164	1531	2010	27030480	0.33	64.1894715	84.272265
Hyd	Diag		0603	772, 801	200	160	1423	2075	26560000	0.33	59.6614095	86.9974875
Hyd	Diag		0603	771, 800	188	150	1497	2135	24147021	0.33	62.7639705	89.5130775
Hyd	Diag		0603	773, 802	213	170	1464	2145	31141282	0.33	61.380396	89.9323425
Hyd	Diag		0603	770, 799	209	167	1529	2205	30821314	0.33	64.1056185	92.4479325
Hyd	Diag		0603		241	193	1464	2145	39866798	0.33	61.380396	89.9323425
Hyd	Diag		0603		250	200	1807	2350	47000000	0.33	75.7611855	98.527275
Hyd	Diag		0603		186	149	1423	2090	23137805	0.33	59.6614095	87.626385
Hyd	Diag		0603		177	142	1498	2160	21654605	0.33	62.805897	90.56124
Hyd	Diag		0603		201	161	1509	2170	28054454	0.33	63.2670885	90.980505
Hyd	Diag		0603		197	158	1561	2210	27445725	0.33	65.4472665	92.657565
Hyd	Diag		0603		171	137	1468	1900	17778528	0.33	61.548102	79.66035
Hyd	Diag		0603		189	151	1498	1960	22404211	0.33	62.805897	82.17594
Hyd	Diag		0603		181	145	1572	2030	21281546	0.33	65.908458	85.110795
Hyd	Diag		0603		205	164	1531	2010	27030480	0.33	64.1894715	84.272265
Hyd	Diag		0603		202	162	1603	2050	26767424	0.33	67.2081795	85.949325
Hyd	Diag		0588		192	154	1359	1770	20879770	0.33	56.9781135	74.209905
Hyd	Diag		0588		187	150	1425	1850	20701648	0.33	59.7452625	77.564025
Hyd	Diag		0588		235	188	1392	1860	32869920	0.33	58.361688	77.98329
Hyd	Diag		0588		235	188			0	0.33	0	0
Hyd	Diag		0588		203	162	1427	1870	24659466	0.33	59.8291155	78.402555
Hyd	Diag		3001		206	165	1381	1849	25108532	0.33	57.9004965	77.5220985
Hyd	Diag		3001		211	169	1292	1812	25815057	0.33	54.169038	75.970818
Hyd	Diag		3003		224	179	1200	1760	28259123	0.33	50.3118	73.79064
Hyd	Diag		3003		206	165	1575	1950	26480064	0.33	66.0342375	81.756675
Hyd	Diag		3003		224	179	1480	1900	30507008	0.33	62.05122	79.66035
Hyd	Diag		7593		186	149	1423	2090	23137805	0.33	59.6614095	87.626385
Hyd	Diag		7593		177	142	1498	2160	21654605	0.33	62.805897	90.56124
Hyd	Diag		7593		201	161	1509	2170	28054454	0.33	63.2670885	90.980505
Hyd	Diag		7593		197	158	1561	2210	27445725	0.33	65.4472665	92.657565
Hyd	Diag		7593		179	143	1422	2160	22146739	0.33	59.619483	90.56124
Hyd	Diag		7593		182	146	1507	2160	22895309	0.33	63.1832355	90.56124
Hyd	Diag		7593		205	164	1472	2170	29182160	0.33	61.715808	90.980505
Hyd	Diag		7593		200	160	1527	2210	28288000	0.33	64.0217655	92.657565
Hyd	Diag		8004		186	149	1423	2090	23137805	0.33	59.6614095	87.626385

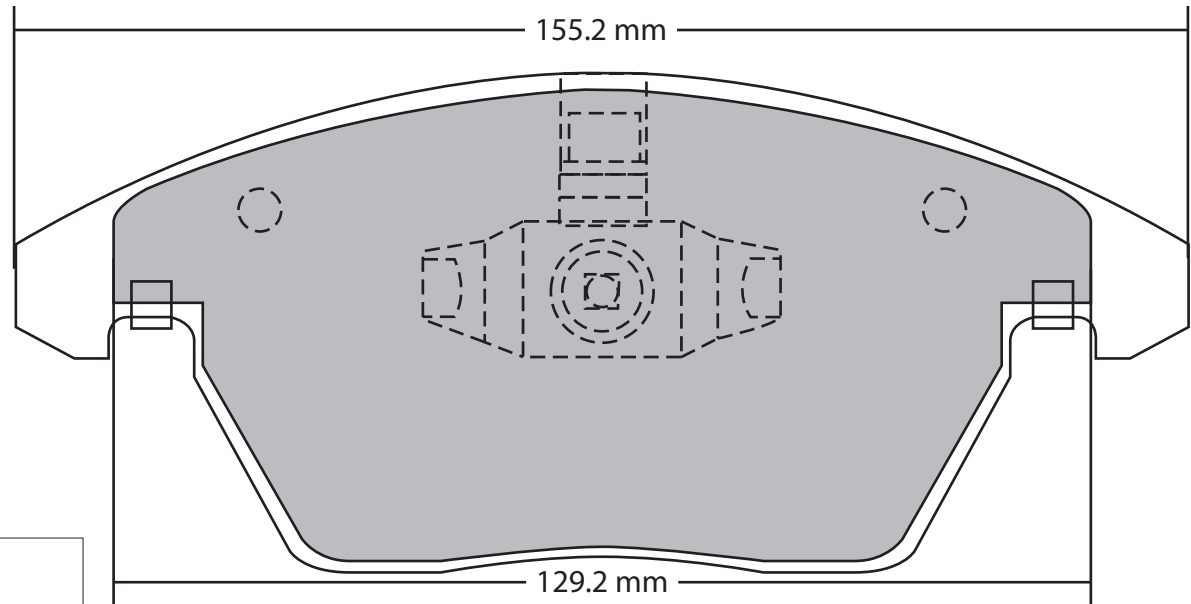
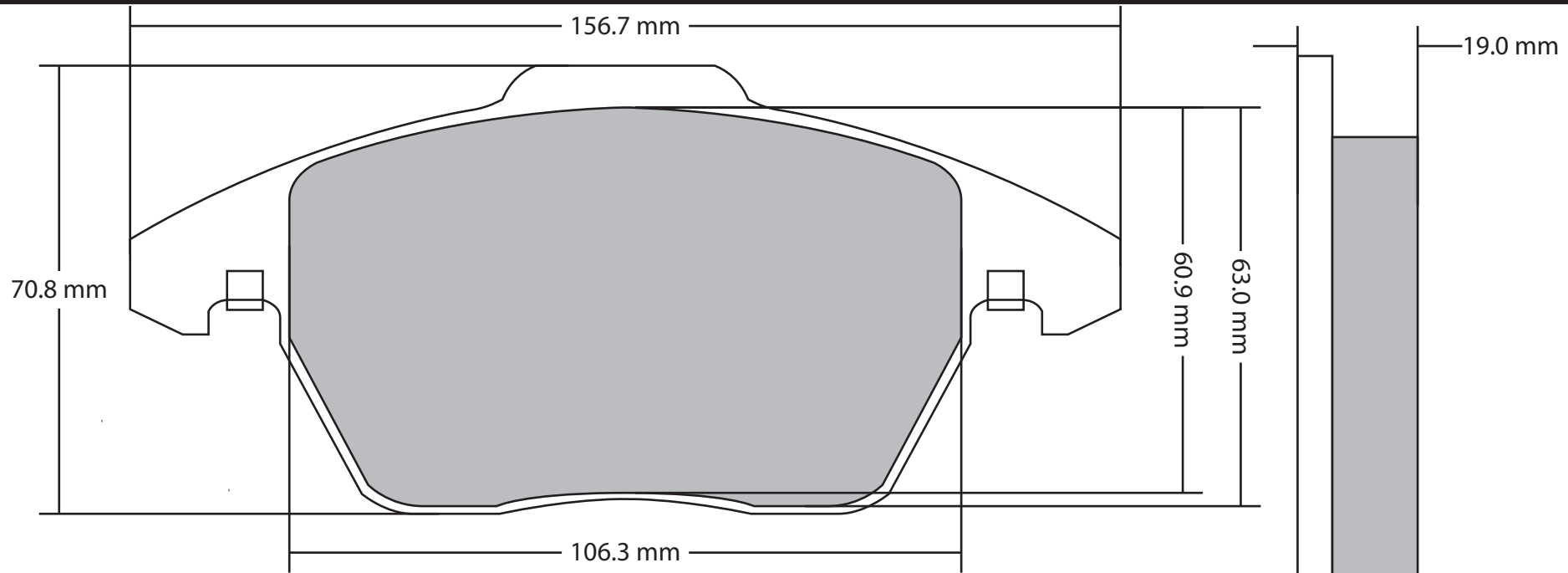


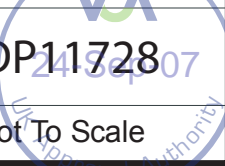
Hyd	Diag		8004		177	142	1498	2160	21654605	0.33	62.805897	90.56124
Hyd	Diag		8004		201	161	1509	2170	28054454	0.33	63.2670885	90.980505
Hyd	Diag		8004		197	158	1561	2210	27445725	0.33	65.4472665	92.657565
Hyd	Diag		0603		174	139	1319	1750	16954560	0.33	55.3010535	73.371375
Hyd	Diag		0603		192	154	1359	1800	21233664	0.33	56.9781135	75.4677
Hyd	Diag		0603		187	150	1425	1880	21037350	0.33	59.7452625	78.82182
Hyd	Diag		0603		235	188	1392	1860	32869920	0.33	58.361688	77.98329
Hyd	Diag		0603		225	180	1451	1980	32076000	0.33	60.8353515	83.01447
Hyd	Diag		0603		203	162	1427	1870	24659466	0.33	59.8291155	78.402555
Hyd	Diag		0603		200	160	1576	1980	25344000	0.33	66.076164	83.01447
Hyd	Diag		0603		171	137	1468	1900	17778528	0.33	61.548102	79.66035
Hyd	Diag		0603		189	151	1498	1960	22404211	0.33	62.805897	82.17594
Hyd	Diag		0603		181	145	1572	2030	21281546	0.33	65.908458	85.110795
Hyd	Diag		0603		205	164	1531	2010	27030480	0.33	64.1894715	84.272265
Hyd	Diag		0603		202	162	1603	2050	26767424	0.33	67.2081795	85.949325
Hyd	Diag		0603		189	151	1498	1960	22404211	0.33	62.805897	82.17594
Hyd	Diag		0603		181	145	1572	2030	21281546	0.33	65.908458	85.110795
Hyd	Diag		0603		205	164	1531	2010	27030480	0.33	64.1894715	84.272265
Hyd	Diag		0603		202	162	1603	2050	26767424	0.33	67.2081795	85.949325
Hyd	Diag		0603		202	162	1603	2050	26767424	0.33	67.2081795	85.949325
Hyd	Diag		0603		205	164	1531	2010	27030480	0.33	64.1894715	84.272265
Hyd	Diag		0603		205	164	1531	2010	27030480	0.33	64.1894715	84.272265
Hyd	Diag		0603	772, 801	200	160	1423	2075	26560000	0.33	59.6614095	86.9974875
Hyd	Diag		0603	771, 800	188	150	1497	2135	24147021	0.33	62.7639705	89.5130775
Hyd	Diag		0603	773, 802	213	170	1464	2145	31141282	0.33	61.380396	89.9323425
Hyd	Diag		0603	770, 799	209	167	1529	2205	30821314	0.33	64.1056185	92.4479325
Hyd	Diag		0603		241	193	1464	2145	39866798	0.33	61.380396	89.9323425
Hyd	Diag		0603		250	200	1807	2350	47000000	0.33	75.7611855	98.527275
Hyd	Diag		0603		186	149	1423	2090	23137805	0.33	59.6614095	87.626385
Hyd	Diag		0603		177	142	1498	2160	21654605	0.33	62.805897	90.56124
Hyd	Diag		0603		201	161	1509	2170	28054454	0.33	63.2670885	90.980505
Hyd	Diag		0603		197	158	1561	2210	27445725	0.33	65.4472665	92.657565
Hyd	Diag		0603		171	137	1468	1900	17778528	0.33	61.548102	79.66035
Hyd	Diag		0603		189	151	1498	1960	22404211	0.33	62.805897	82.17594
Hyd	Diag		0603		181	145	1572	2030	21281546	0.33	65.908458	85.110795
Hyd	Diag		0603		205	164	1531	2010	27030480	0.33	64.1894715	84.272265
Hyd	Diag		0603		202	162	1603	2050	26767424	0.33	67.2081795	85.949325

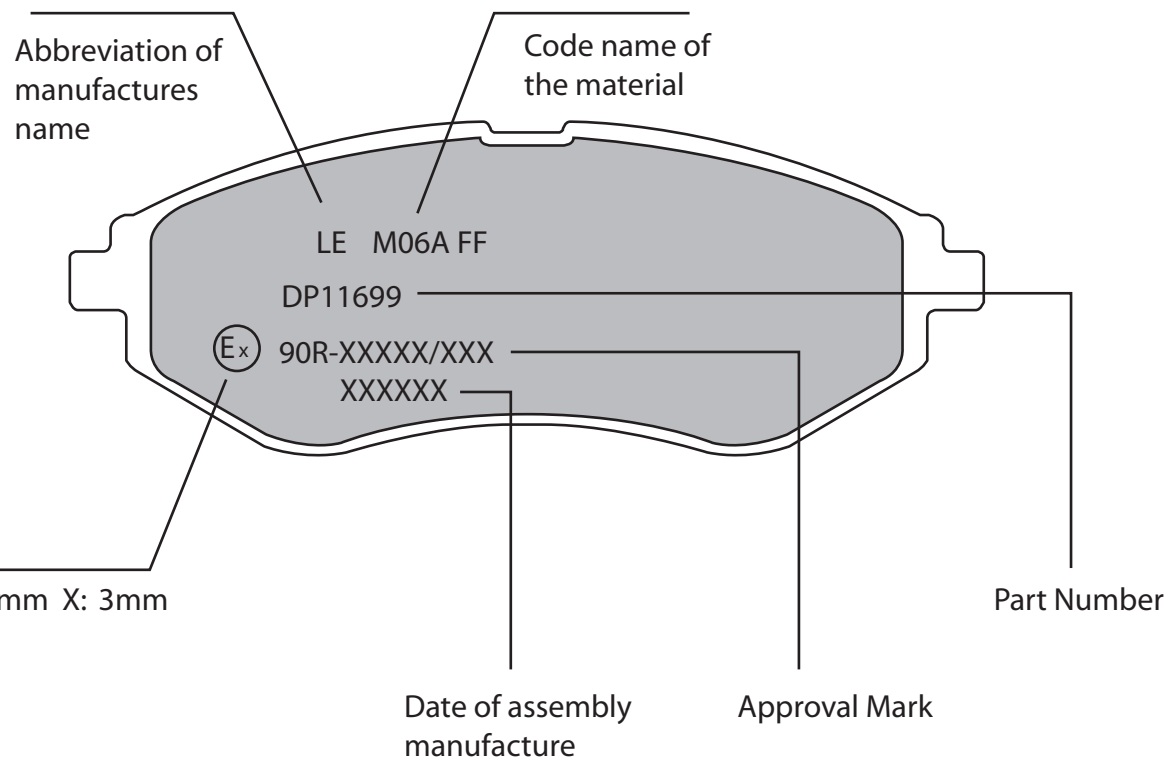


Material Area		
6118.4 mm		
Modification	Initial Date	Date

Drawn By	Description	Issue No.	Part No.	
	Disc Pad Assembly	1		
Date	General Tolerance	± 0.25mm	Not To Scale	



Material Area		Drawn By	Description	Issue No.	Part No.	 DP11728
5856.1 mm			Disc Pad Assembly	1		
Modification	Initial Date	Date	General Tolerance	± 0.25mm		Not To Scale



E: 4.5mm X: 3mm

Material Area			Drawn By	Description	Issue No.	Part No.
				Disc Pad Assembly	1	
Modification	Initial Date	Date		General Tolerance	± 0.25mm	Not To Scale

