



NORMACONNECT® SEC





Ball-flare connection with possible angular adjustment of exhaust pipes


- ✓ Band adapted to fit ball-shaped flange connections results in stronger joint
- ✓ Torx screw with intergrated washer – easy installation and removal
- ✓ Silencers can be swivelled during installation
- ✓ Improved clamping force at high temperature levels due to chromium (VI)-free, non-seizing coating

 Air Intake & Induction

 Exhaust Systems

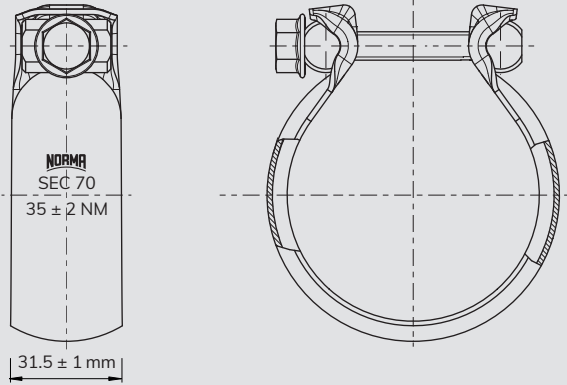
 Cooling Systems

 Fuel & Oil Systems

 Turbocharger Installations

 Fixing & Retaining

NORMACONNECT® SEC



Applications

For low leak joints in rear and centre sections of car and truck exhaust systems with operating clamp surface temperatures of up to 700°C.

Material

Group	W2
Band	1.4301 (AISI 304)
Trunnions	1.0718 (AISI 12L13)
Screw	Grade 10.9 (Alloy steel, quenched and tempered)

Part number	Description	ØDN* (mm)	Packaging quantity (pcs)
0595 6312 055 - 1	SEC 55	55	50
0595 5312 060 - 1	SEC 60	60	50
0595 5312 065 - 1	SEC 65	65	50
0595 6312 070 - 1	SEC 70	70	50
0595 6342 075	SEC 75	75	50

*ØDN: Pipe diameter

Technical benefits

- ✓ Allows/compensates for angular deflection of pipe up to ± 3°
- ✓ Solid trunnions reduce tensile forces on bolt and mechanical lock
- ✓ High temperature resistance
- ✓ Low weight and low leakage rate

NORMACONNECT® SEC is part of a broad portfolio. Discover more!



EUROCOUPLER



CC CLAMP



Do you have questions or require a personal consultation?

Feel free to contact our Automotive Aftermarket Team! Hotline +44 1635 574 005

Visit our website for more information about our Automotive Aftermarket products: norma-aftermarket.com

