



INSTALLATIONADVICE

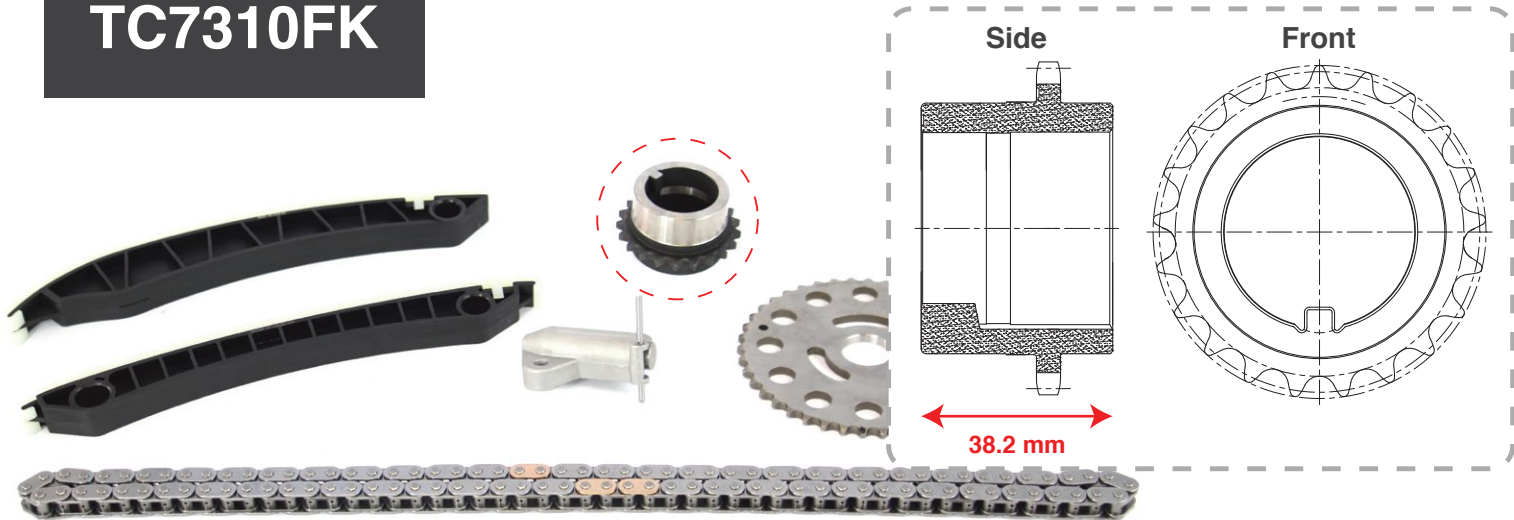
from BG Automotive

TB-0774-012023

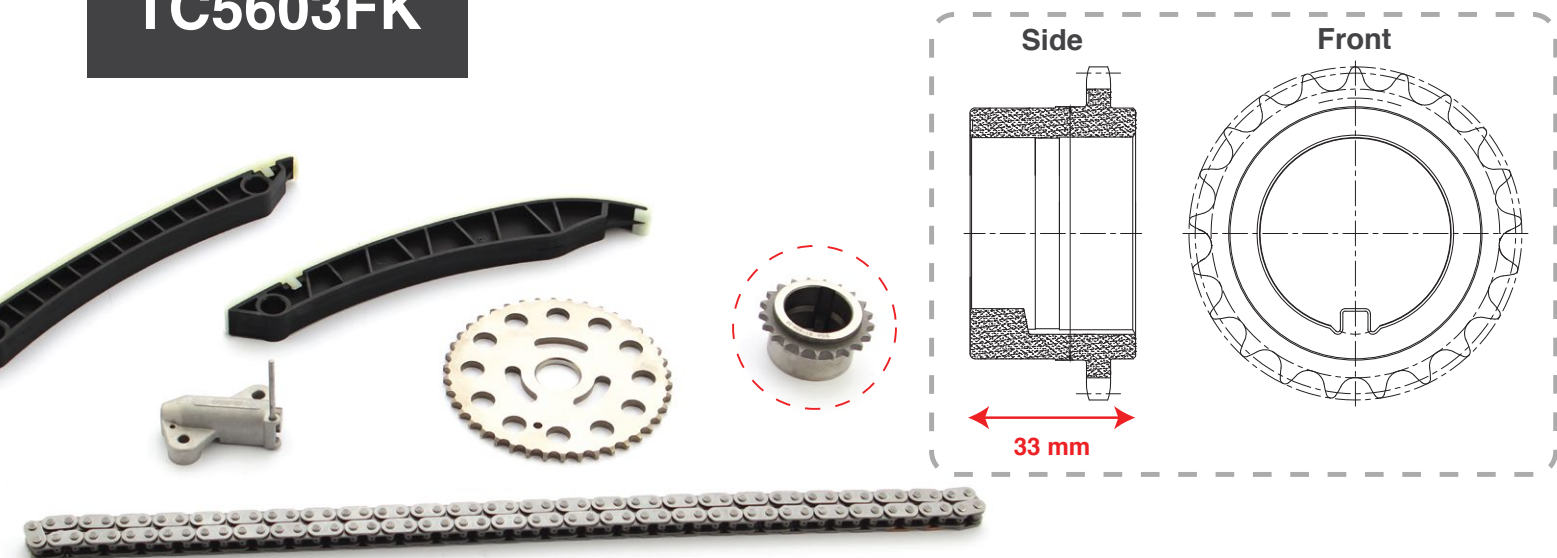
TC7310FK | TC5603FK

- Ensure correct crank sprocket depth.
- Achten Sie auf die richtige Kurbel Ritzeltiefe.
- Убедитесь, что кривошип правильный глубина звездочки.
- Assicurarsi che la manovella sia corretta profondità del pignone.
- Asegúrese de que el cigüeñal sea correcto profundidad de la rueda dentada.
- Assurez-vous que la manivelle est correcte profondeur de pignon.

TC7310FK



TC5603FK



BGA products are to be replaced by an experienced automotive installer. This information is to be used as reference only. Always seek manufacturer specification.

For more information, call +44 (0) 1793 491 777

WWW.BGAUTOMOTIVE.CO.UK



/BGAUTOMOTIVEUK



@BGAUTOMOTIVEUK

PRODUCT BULLETIN