
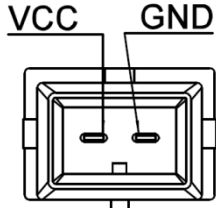
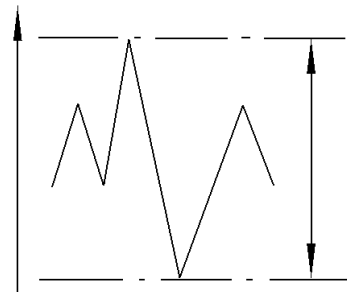
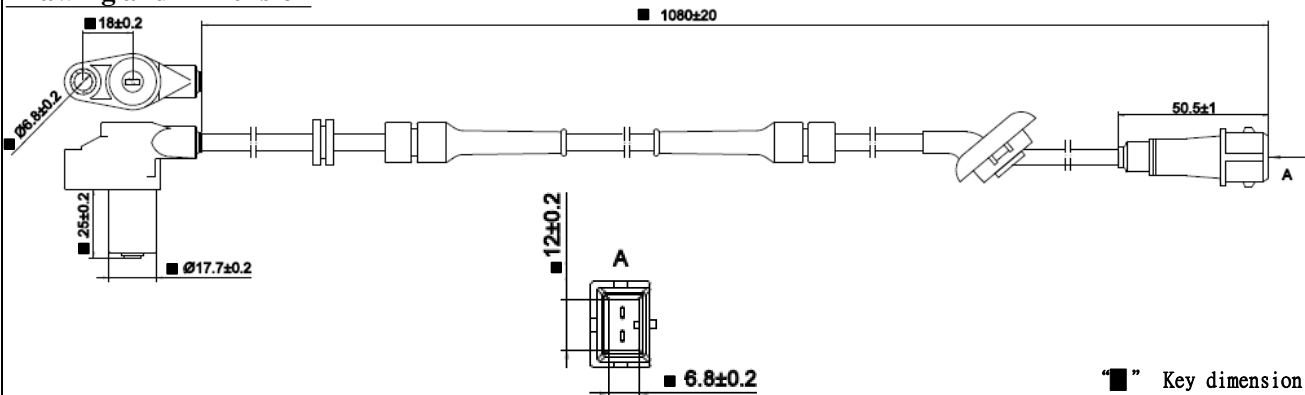


| | | | |
|-------------|-------------------------------------------|-----------|-------------------|
| NAME | AB-EU055 Electrical Specifications | NO | AB-1-4-139 |
|-------------|-------------------------------------------|-----------|-------------------|

| | | |
|-----------------------------------------------------------------------------------------------------|--------------------------------------------------------------------------------------------------|-------------------------------------------------------------------------------------------------------|
| Picture  | Plug  | Waveform  |
|-----------------------------------------------------------------------------------------------------|--------------------------------------------------------------------------------------------------|-------------------------------------------------------------------------------------------------------|

Drawing and Dimension


TYPE : Hall Magnetic

| Parameter | SYMBOLS | MIN. | TYP. | MAX. | UNITS |
|--------------------------------------------------------------------------------|---------|------|------|------|-------|
| Resistance (25°C) | R | 1280 | 1600 | 1920 | ohm |
| Inductance@1KHz | L | 560 | 700 | 840 | mH |
| Working Voltage | V | N/A | N/A | N/A | V |
| Detecting range | Air Gap | N/A | 1 | N/A | mm |
| Magnetic field direction SFS=South facing sensor NFS=North facing sensor | | SFS | SFS | SFS | |
| Duty ratio(t1/T) | Duty | N/A | N/A | N/A | % |
| Temperature | To | -30 | 25 | 125 | °C |
| Reference Teeth | | | 48 | | |
| Output Voltage (600RPM,1mm) | Vp-p | 6.1 | 7.6 | 9.1 | V |

| | | | | | | |
|-----------------------|-------------------------|---------|------------|--------|----------|--------------------|
| 2015.12.10 | 2019.03.21 | 2 | 呂漢榮 | 王亮 | 黃鵬 | MOBILETRON |
| Date of first edition | Date of revised edition | edition | Manuscript | Review | Approval | Mar.26.2019 |
| | | | | | | Release |