
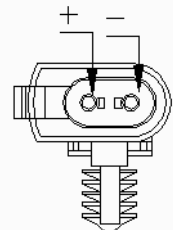
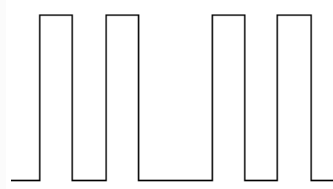
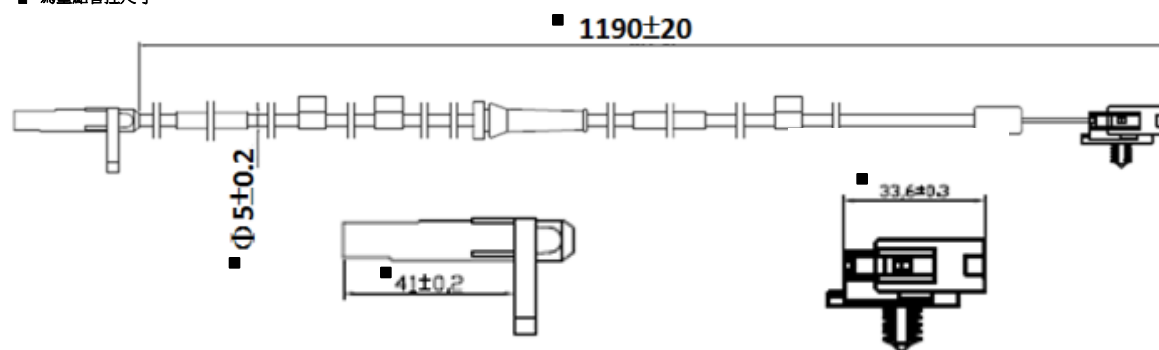


<b>NAME</b>	<b>AB-EU023 Electrical Specifications</b>	<b>NO</b>	<b>AB-2-4-105</b>
-------------	---	-----------	-------------------

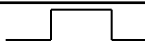
<b>Picture</b> 	<b>Plug</b> 	<b>Waveform</b>  Out Voltage: $V_{OL} \leq 1V \leq V_{OH}$
---	--	---

**Drawing and Dimension**

■ 為重點管控尺寸



TYPE : ■ Hall □ Magnetic

Parameter	SYMBOLS	MIN.	TYP.	MAX.	UNITS
Resistance@120Hz	R	N/A	N/A	N/A	$\Omega$
Inductance@120Hz	L	N/A	N/A	N/A	mH
Working Voltage	V	5	12	16	V
Waveform Profile		N/A		N/A	
Frequency	Fre.	10	500	1000	Hz
Detecting range	Air GAP	0.5	1	1.5	mm
Magnetic strength	Bo	103	129	155	mT
Magnetic field direction SFS=South facing sensor NFS=North facing sensor		N/A	NSF	N/A	
Duty ratio(t1/T)	Duty	40	50	60	%
Temperature	To	-40	25	125	$^{\circ}\text{C}$
Reference Teeth		N/A	58	N/A	
Output Voltage	Vp-p	0.5	1	1.8	V

2015.9.10	2017.1.7	2	魏毛毛	呂漢榮	黃鵬	MOBILETRON
Date of first edition	Date of revised edition	edition	Manuscript	Review	Approval	Jan.7.2017
						Release