

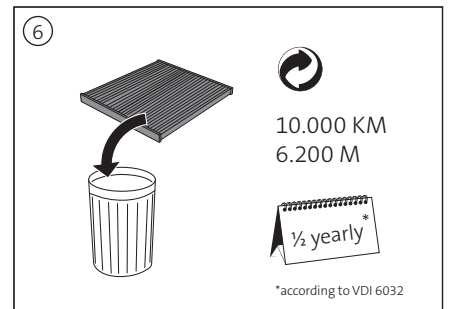
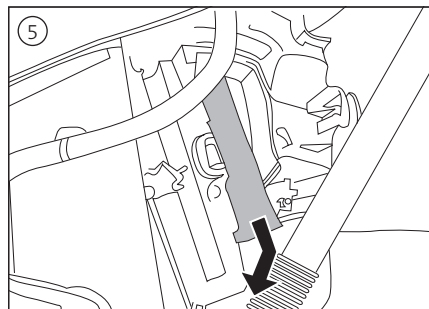
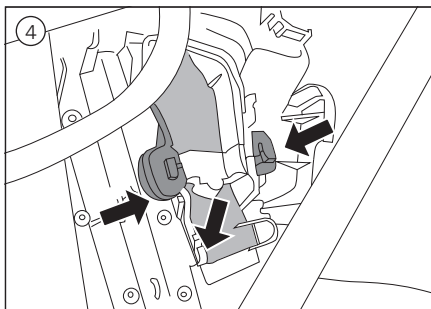
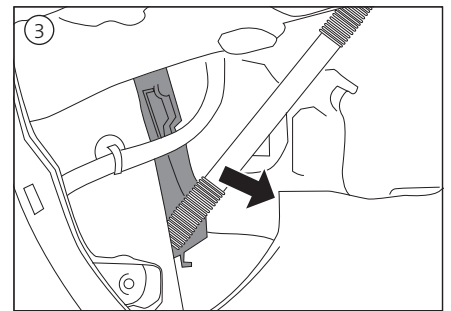
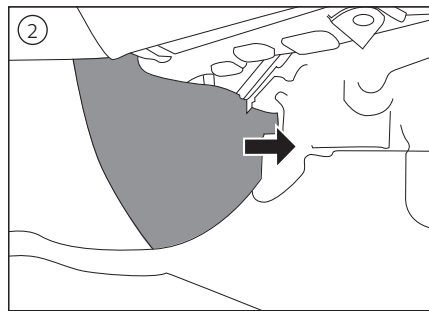
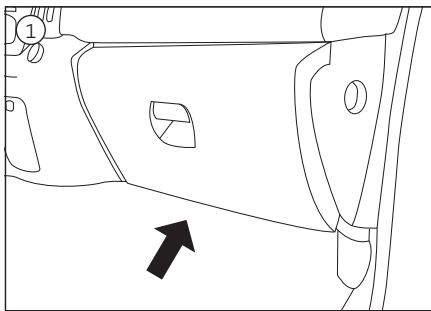
**FITTING INSTRUCTIONS**  
**EINBAUANLEITUNG**  
**INSTRUCCIONES DE MONTAJE**  
**NOTICE DE MONTAGE**  
**ISTRUZIONI DI MONTAGGIO**  
**INSTRUKCJA MONTAŻU**  
**INSTRUÇÕES DE MONTAGEM**  
**ИНСТРУКЦИЯ ПО УСТАНОВКЕ**

<b>Fiat</b>		
Talento II		06.16 →
<b>Nissan</b>		
NV 300 II		05.16 →
Primastar II		09.14 →
<b>Opel</b>		
Vivaro B		07.14 →
<b>Renault</b>		
Grand Scenic III		06.09 →
Scenic III		06.09 →
Traffic III		07.14 →

**micronAir®**

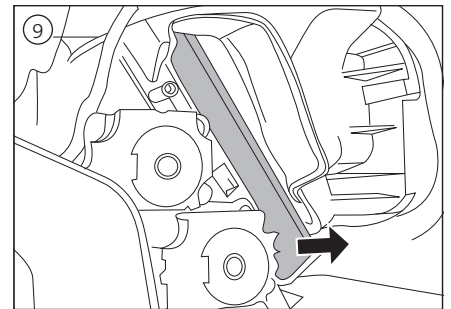
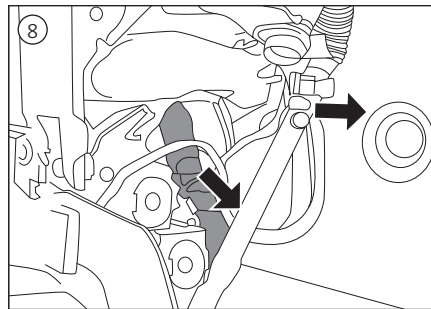
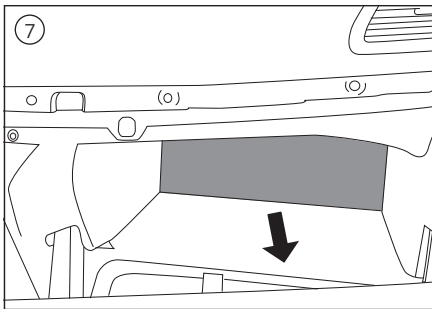
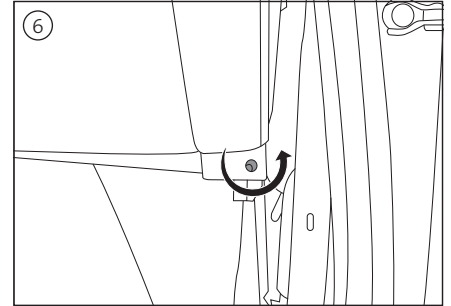
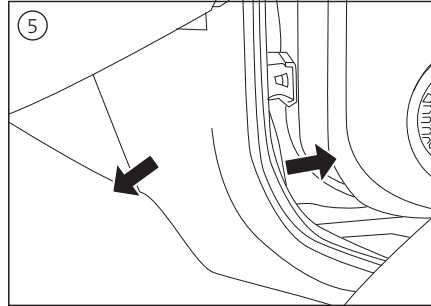
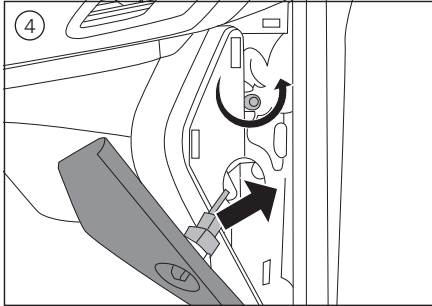
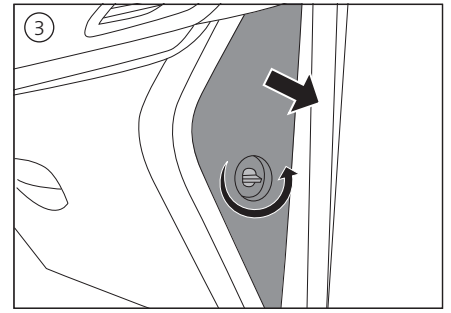
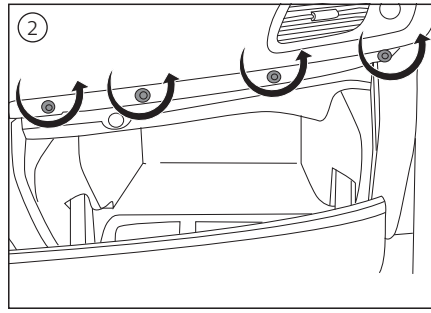
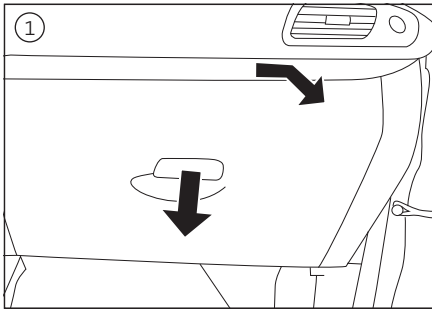
**80001450**  
**CP1367**  
**MP407**

**Opel Vivaro, Renault Traffic III**



03-CA-527-April-2019-ML

Renault Grand Scenic III, Scenic III



10

10.000 KM  
6.200 M

½ yearly\*

\*according to VDI 6032