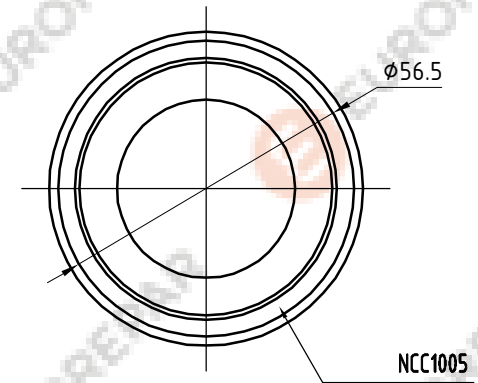
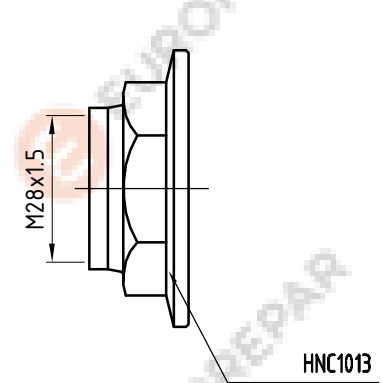


MIN. TH. 8 mm.



NCC1005	DUST COVER		1	
HNC1013	HUB NUT		1	
AMC1005	ABS TONE RING		1	
DCR1009	SEEBER		1	
WBP1011	BEARING		1	
P1011P	DISK		1	
CODE	NAME	MATERIAL	PCS	NOTE

EUROREPAR