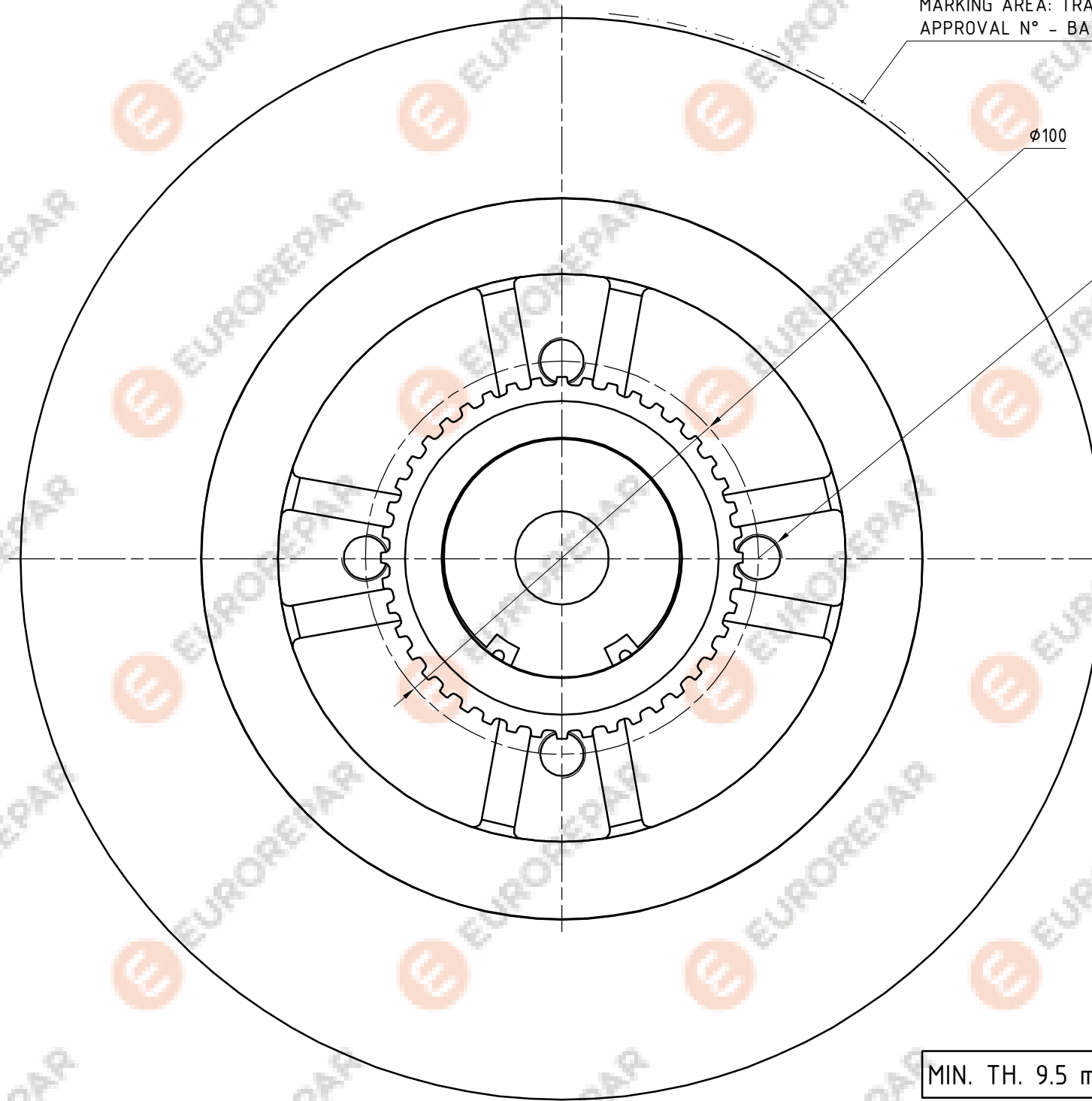
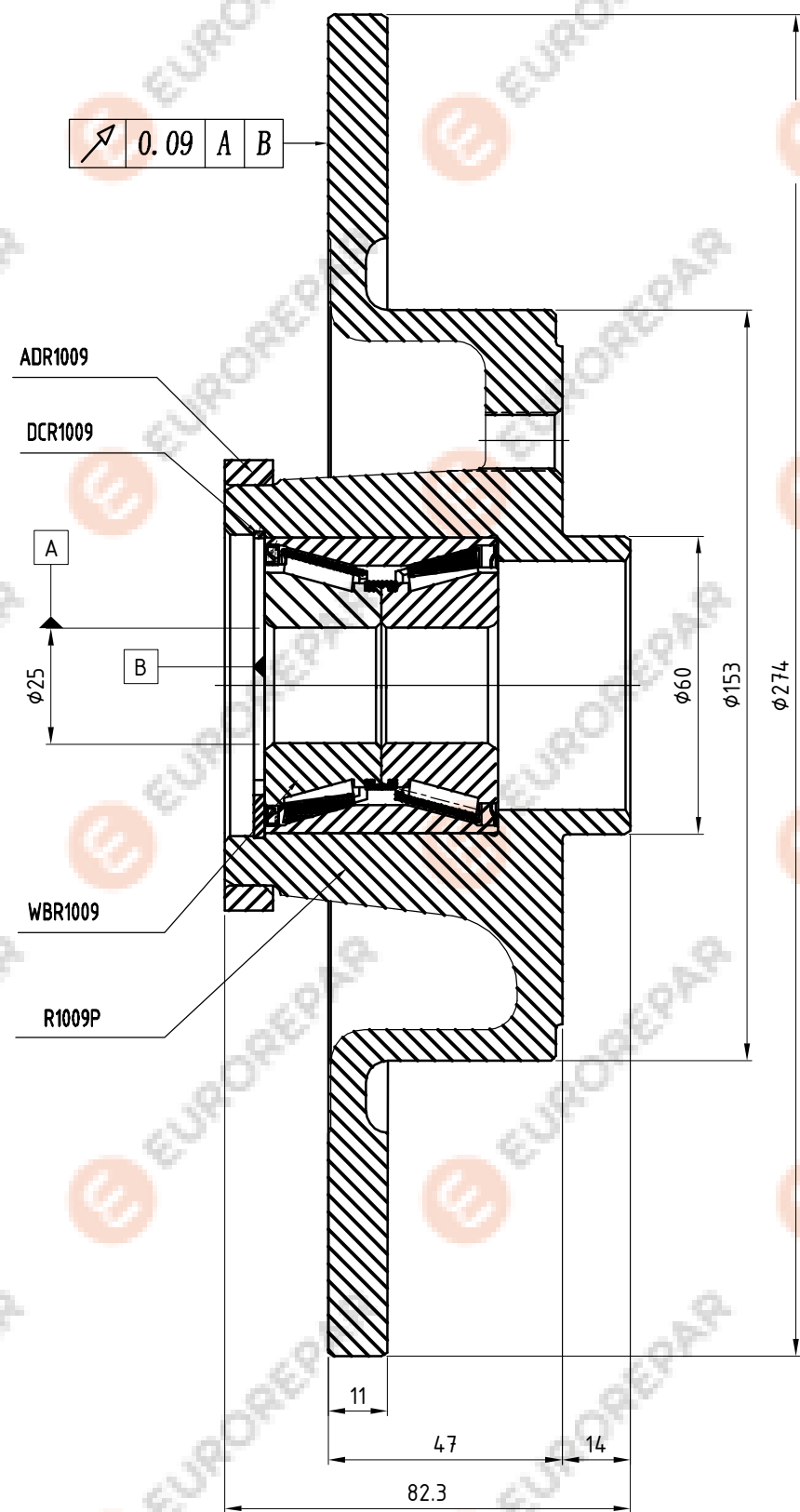
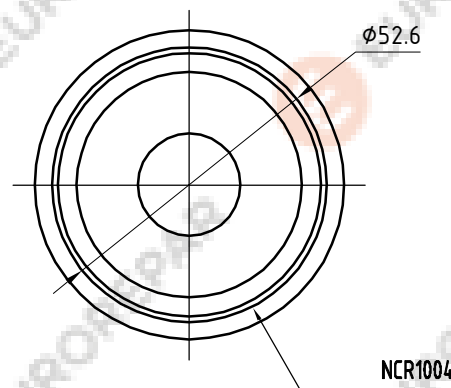
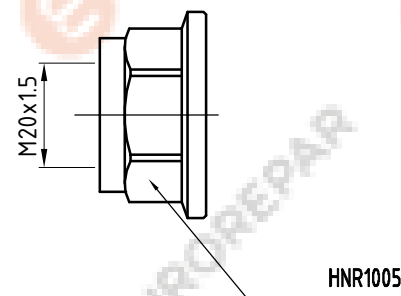


MARKING AREA: TRADE MARK -
APPROVAL N° - BATCH - MIN. THK.



MIN. TH. 9.5 mm.

| | | | | |
|---------|---------------|----------|-----|------|
| NCR1004 | DUST COVER | | 1 | |
| HNR1005 | HUB NUT | | 1 | |
| ADR1009 | ABS TONE RING | | 1 | |
| DCR1009 | SEEGER | | 1 | |
| WBR1009 | BEARING | | 1 | |
| R1009P | DISC | | 1 | |
| CODE | NAME | MATERIAL | PCS | NOTE |



EUROREPAR