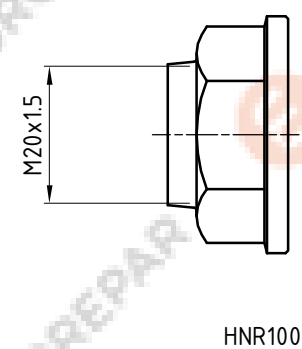
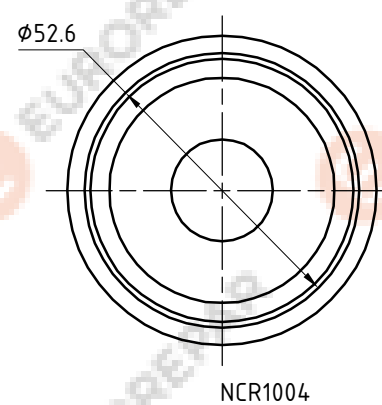


MIN. TH. 7 mm.



NCR1004	DUST COVER		1	
HNR1005	HUB NUT		1	
AMR1005	ABS TONE RING		1	
DCR1005	SEEGER		1	
WBR1040	BEARING		1	
R1040P	DISK		1	
CODE	NAME	MATERIAL	PCS	NOTE

**EUROREPAR**