

FORD WATER PUMP BWP1790 IMPORTANT INFORMATION

COOLING



Issue Date: 24/09/10 Issue Number: COTB0015B

APPLICATION : Ford C-Max Mk I, Fiesta IV, Focus Mk I, Focus Mk II,
Focus C-Max, Galaxy III, Mondeo IV, S-Max, Courier II,
Fiesta Van IV, Transit Connect, Transit Tourneo Connect 1.8TD

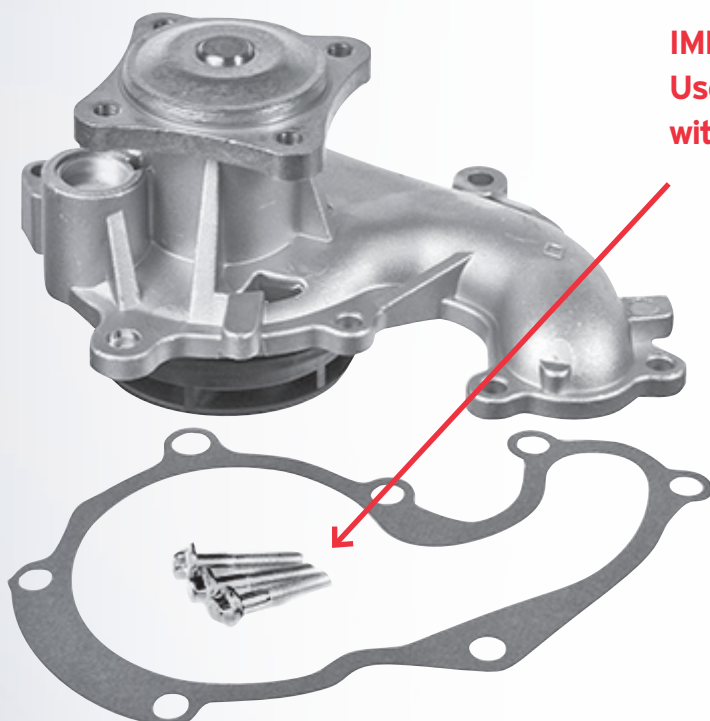
APPLICABLE REFERENCES : BWP1790

It is imperative to use the bolts that are supplied with this water pump due to changes to the thickness of the pump body.

Failure to use the supplied bolts in the correct orientation will cause serious damage to the engine block, which would be immediately apparent.

It is essential that care is taken when installing the pump, as the bolt protrusion can damage the engine block water jacket if they are not located in the correct position.

AT A GLANCE



**IMPORTANT -
Use bolts supplied
with Water Pump.**

BWP1790

Technical Information

If you require any further information please visit our Website
or contact the Technical Department on +44 (0)1869 329 709

www.borgandbeck.com



First Line Ltd, Chalker Way, Banbury, Oxon, OX16 4XD, UK