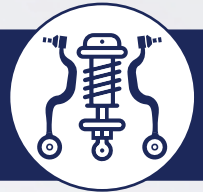


# HONDA CIVIC REAR SUBFRAME BUSH REPLACEMENT

STEERING &  
SUSPENSION



Issue Date: 10/2018 Issue Number: SSTB0013B

**APPLICATION:** Honda Civic 1.4i, 2.0i, 2.2TD 2005>12

**APPLICABLE REFERENCES:** BSK8051

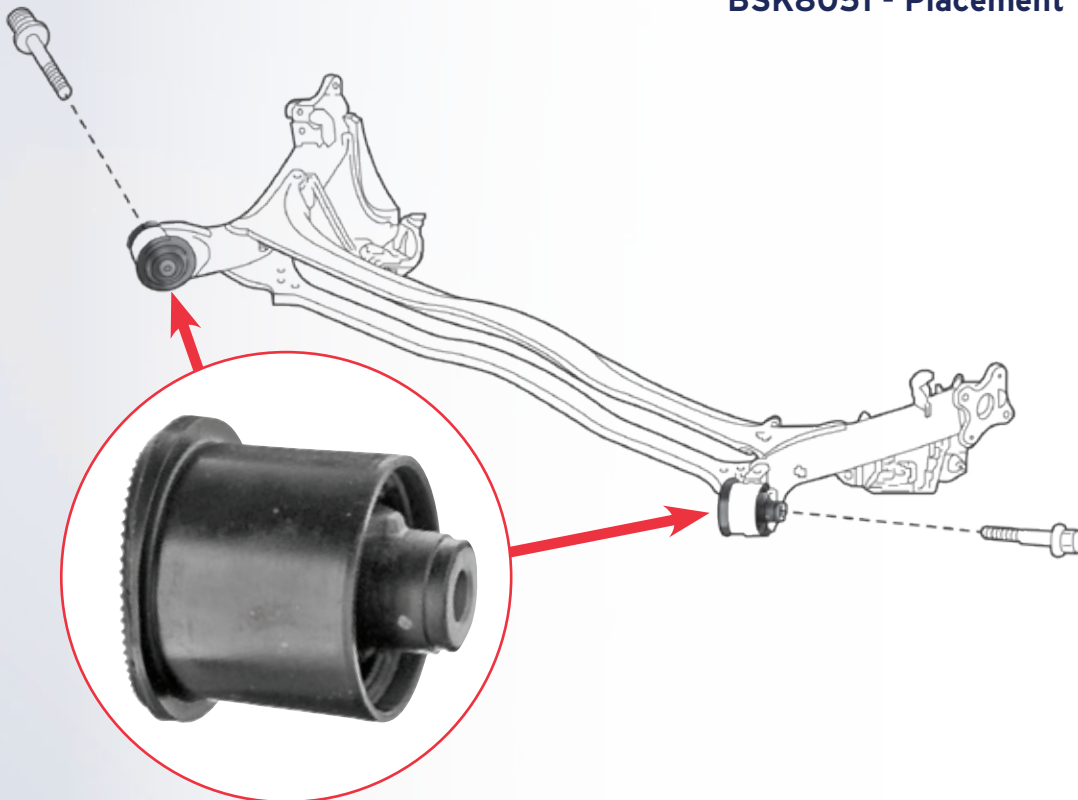
We have received numerous requests for replacement bushes for the Rear Subframe on the Honda Civic 2005>2012. The bush is not available separately from OE and is only supplied as part of the rear subframe.

Borg & Beck supplies these bushes separately under part number BSK8051. It is advised that these are replaced in pairs and that they are always pressed in and out using professional tooling.

## AT A GLANCE



### BSK8051 - Placement



Product Information

If you require any further information please visit our website  
or contact the Technical Department on +44 (0)1869 329 709

[www.borgandbeck.com](http://www.borgandbeck.com)



First Line Ltd, Chalker Way, Banbury, Oxon, OX16 4XD, UK