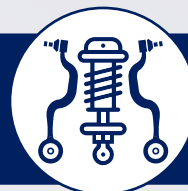


# LAND ROVER FRONT & REAR SUBFRAME BUSHES

STEERING &  
SUSPENSION



Issue Date: 12/2018 Issue Number: SSTB0014B

APPLICATION: Land Rover Discovery Sport 2014 >, Freelander II 2006 > 15, Evoque 2011 > 18

APPLICABLE REFERENCES: BSK8053, BSK8054, BSK8076, BSK8077

We have received numerous requests for replacement bushes for the Front and Rear Subframes on the Land Rover Discovery Sport, Freelander II and Evoque. Borg & Beck supplies these bushes separately. It is advised that these are replaced in pairs and that they are always pressed in and out using professional tooling.

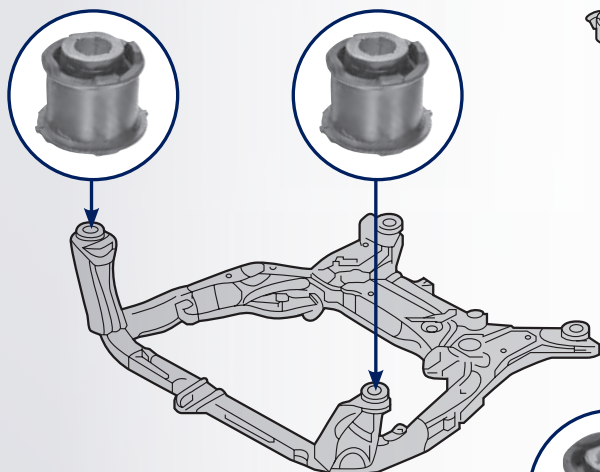
## AT A GLANCE



### FRONT AXLE

**BSK8053**

Front Axle Front Inner Bush



### REAR AXLE

**BSK8077**

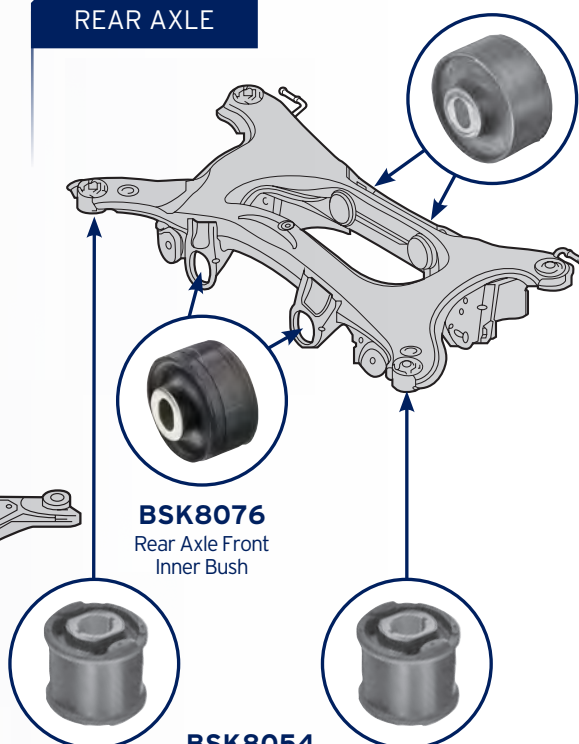
Rear Axle Rear Inner Bush

**BSK8076**

Rear Axle Front Inner Bush

**BSK8054**

Rear Axle Front Outer Bush



Product Information

If you require any further information please visit our website  
or contact the Technical Department on +44 (0)1869 329 709

[www.borgandbeck.com](http://www.borgandbeck.com)



First Line Ltd, Chalker Way, Banbury, Oxon, OX16 4XD, UK