

RACING *Line*



RACINGline black/red
Workshop trolley with 7 drawers
826.0007



Lockable trough built-in cylinder lock



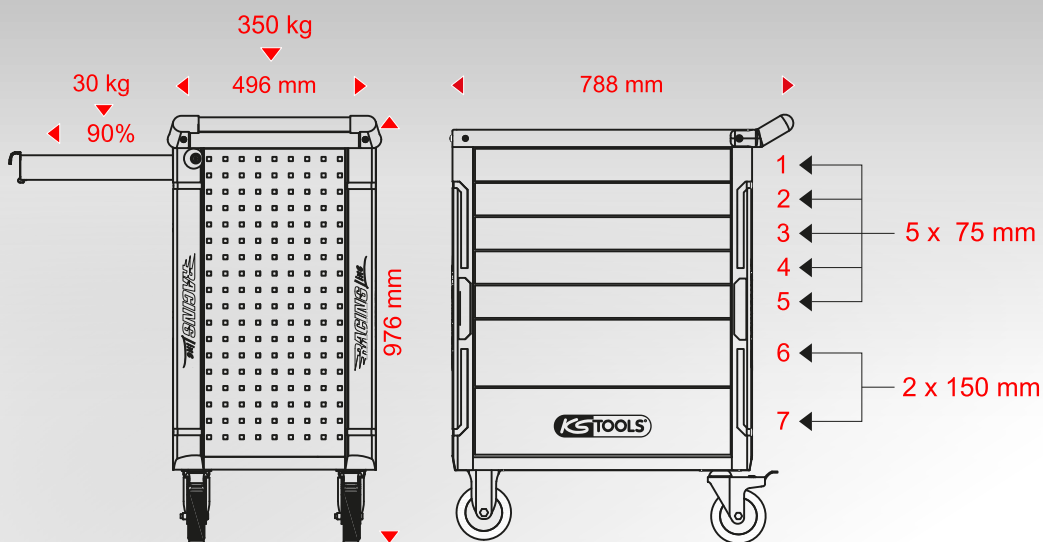
Square perforation for accessories



Individual locking prevents unintentional opening



ABS Worktop with compartments for small parts



2 x castors with rotary brakes
 Ø wheels: 125 mm

