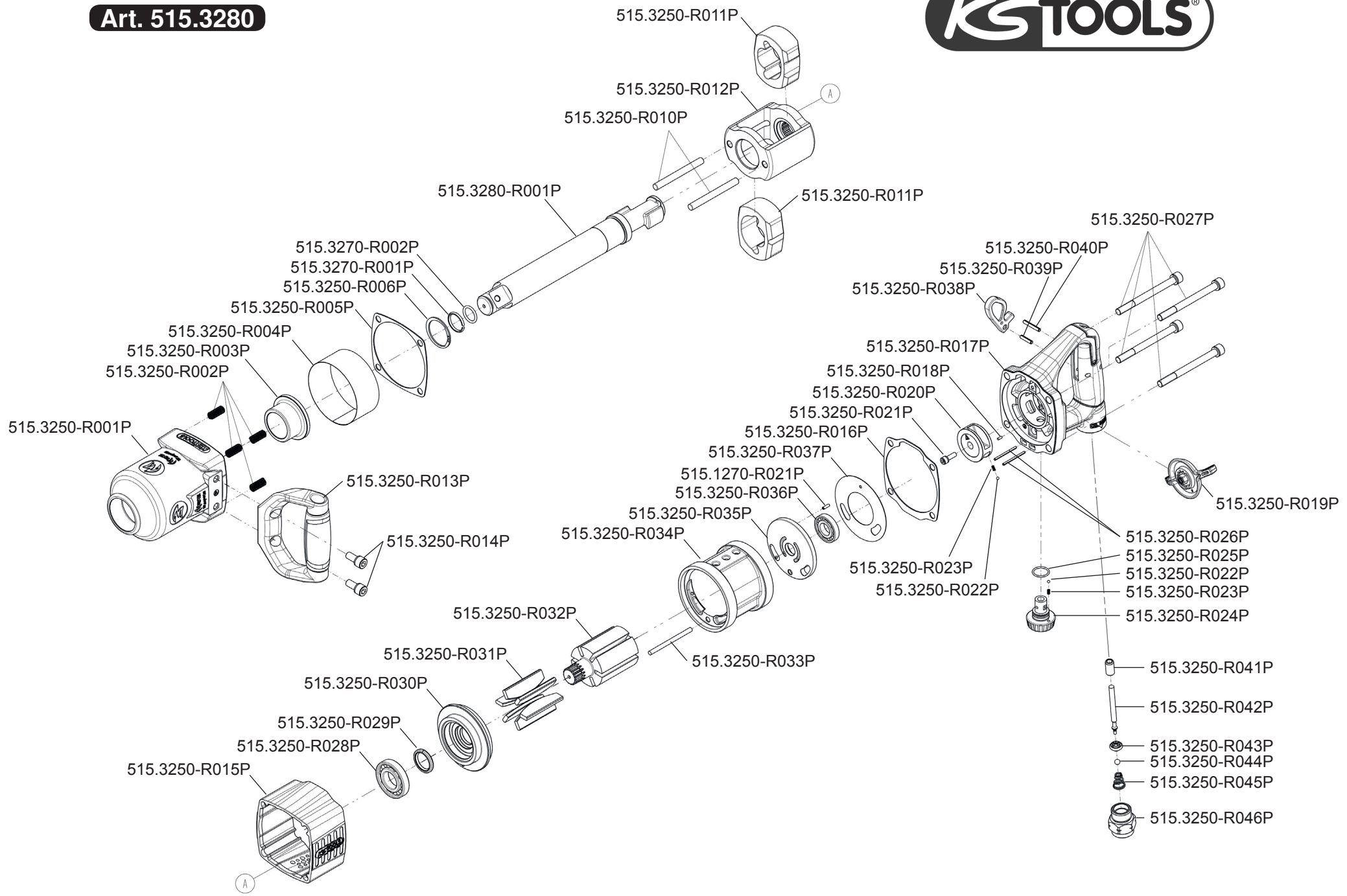


Art. 515.3280



Art. 515.3280

Art.-Nr.	Description	Beschreibung	Menge Qty.
515.3250-R001P	Hammer case	Hammergehäuse	1
515.3250-R002P	Threat insert	Gewindeinsatz	1
515.3250-R003P	Hammer case bushing	Laufbuchse	1
515.3250-R004P	Steel ring	Stahlring	1
515.3250-R005P	Hammer case gasket	Gehäusedichtung	1
515.3250-R006P	Circlip	Sprengring	1
515.3270-R001P	Socket retainer 1"	Stecknusshaltering 1"	1
515.3270-R002P	O-Ring	O-Ring	1
515.3280-R001P	Anvil 1" long	Amboss 1" lang	1
515.3250-R010P	Hammer pin	Hammerstift	1
515.3250-R011P	Hammer	Hammer	1
515.3250-R012P	Hammer frame	Hammerkäfig	1
515.3250-R013P	Handle unit	Griffeinheit	1
515.3250-R014P	Hexagon screw for handle	Innen6kantschraube für Griff	1
515.3250-R015P	Housing	Gehäuse	1
515.3250-R016P	Rear cover gasket	Hintere Gehäusedeckel-Dichtung	1
515.3250-R017P	Rear cover unit	Hintere Abdeckung	1
515.3250-R018P	Pin	Pin	1
515.3250-R019P	Switch	Umschalter	1
515.3250-R020P	Reverse valve	Umschaltventil	1
515.3250-R021P	Hexagon screw	Gewindebolzen	1
515.3250-R022P	Ball	Stahlkugel	1
515.3250-R023P	Spring	Feder	1

Art.-Nr.	Description	Beschreibung	Menge Qty.
515.3250-R024P	Regulator	Regulierer	1
515.3250-R025P	O-Ring	O-Ring	1
515.3250-R026P	Spring pin	Federbolzen	1
515.3250-R027P	Hexagon screw	Gewindebolzen	1
515.3250-R028P	Bearing	Kugellager	1
515.3250-R029P	Oil seal	Simmerring	1
515.3250-R030P	Front bearing plate	Vodere Kugellagerplatte	1
515.3250-R031P	Rotorblade	Rotorblatt	1
515.3250-R032P	Rotor	Rotor	1
515.3250-R033P	Pin	Pin	1
515.3250-R034P	Cylinder	Rotorgehäuse	1
515.3250-R035P	Rear end plate	Verschlussplatte	1
515.3250-R036P	Bearing	Kugellager	1
515.1270-R021P	Spring pin	Federbolzen	1
515.3250-R037P	Rear cover gasket	Hintere Gehäusedeckel-Dichtung	1
515.3250-R038P	Trigger	Betriebsschalter	1
515.3250-R039P	Spring pin	Federbolzen	1
515.3250-R040P	Spring pin	Federbolzen	1
515.3250-R041P	Bushing	Ventilbuchse	1
515.3250-R042P	Pin	Pin	1
515.3250-R043P	O-Ring	Dichtungsring	1
515.3250-R044P	Ball	Stahlkugel	1
515.3250-R045P	Spring	Feder	1
515.3250-R046P	Air inlet	Lufteinlassschraube	1