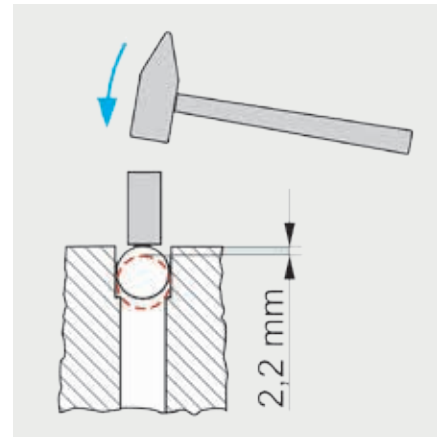
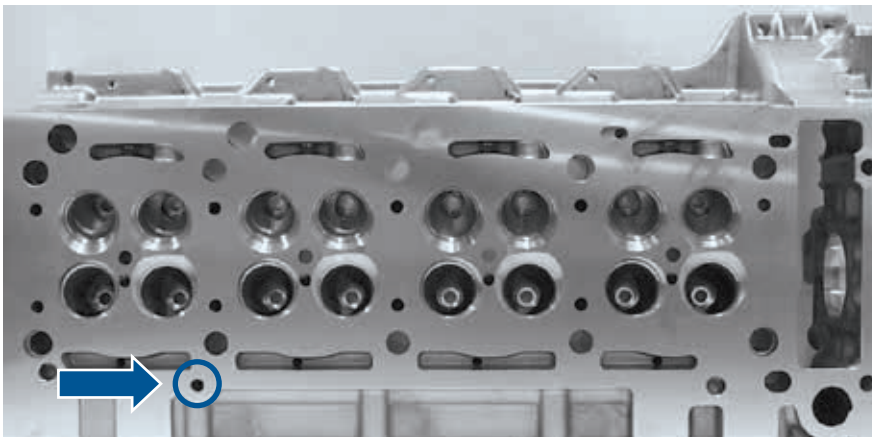




Fitting instructions for cylinder heads OM 611/646

Engine manufacturer: Mercedes-Benz	
Engine types	Art.-No.
OM 611.980/.981/.983/.987	20.0803.61100, 20.0803.61101
OM 646.951/.961-963/.966	20.0803.64600, 20.0803.64602



Attention: Check whether the cylinder head being replaced (dismantle unit) has a $\varnothing 8$ mm ball inserted in the coolant channel indicated. If this is the case, the $\varnothing 8$ mm ball provided in the accessory pack must be fitted to your new cylinder head.