



PI 1929

For technical personnel only!

1/2

PRODUCT INFORMATION

MODULAR SYSTEM FOR OIL PUMPS

SUITABLE FOR MAN ENGINES D08.26, D08.34 AND D08.36 (EURO IV – VI)

Motorservice has put together a modular system for oil pumps – suitable for D08 engines from MAN.

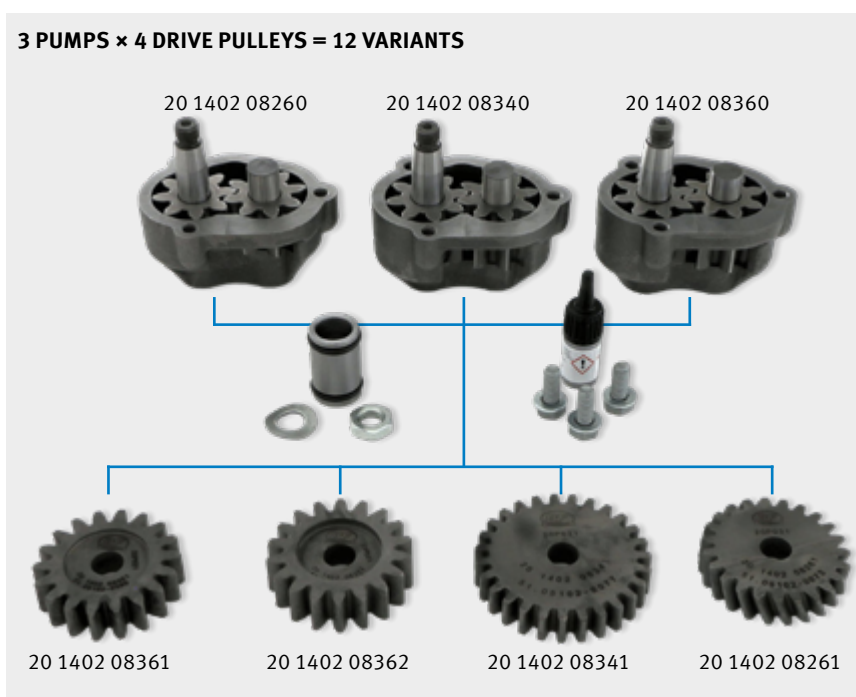
Up until now, you had to, where necessary, order each individual component of these oil pumps separately using their own individual item numbers (see table on the following page).

At Motorservice, you can simply select 1 of our 3 pump kits and combine this with one of the 4 possible drive gears.

Using this modular system, you can combine 12 complete spare parts kits – and you only have to order 2 articles. This is because BF brand pump kits already include all required gaskets and connection elements.

These BF oil pumps are an in-house development by Motorservice for the aftermarket. Each oil pump is tested on the test rig before delivery with regard to volumetric flow and oil pressure.

3 PUMPS × 4 DRIVE PULLEYS = 12 VARIANTS



The oil pumps are installed in around 1 million vehicles globally with the D08 engine series (Euro IV to VI) from MAN. These include trucks from the TGL and TGM series, MAN buses as well as use in agricultural machines, construction machines, special vehicles and industrial engines.

All the advantages at a glance:

- The components do not have to be ordered individually.
- Spare parts kit including all necessary screws, screw adhesive and gaskets
- Price benefit compared to the OE kit
- The oil pumps are supplied pre-assembled.
- Delivery includes assembly instructions

All content including pictures and diagrams is subject to change. For assignment and replacement, refer to the current catalogues or systems based on TecAlliance.



PI 1929

For technical personnel only!

2/2

SPARE PARTS KIT

Item number 20 1402 08260



Item number 20 1402 08340



Item number 20 1402 08360



The scope of supply includes:

Item number		20 1402 08260	20 1402 08340	20 1402 08360
Component	Number	Ref. no.*	Ref. no.*	Ref. no.*
Oil pump housing	1	51.05102-0101	51.05102-0085	51.05102-0090
Oil pump gear (depth t)	1	51.05104-6195 (32 mm)	51.05104-6197 (25 mm)	51.05104-6201 (34 mm)
Oil pump gear (depth t)	1	51.05104-6196 (32 mm)	51.05104-6198 (25 mm)	51.05104-6202 (34 mm)
Hexagon screw M8x20-10.9	3	06.01284-5113	06.01284-5113	06.01284-5113
Washer 8x16x1.6 300HV	3	06.15015-0411	06.15015-0411	06.15015-0411
Threadlocker 50 ml	1	04.10160-9164	04.10160-9164	04.10160-9164
Spring washer B12-FST	1	06.16049-0024	06.16049-0024	06.16049-0024
Hexagon nut BM 12x1.5	1	06.11271-6405	06.11271-6405	06.11271-6405
Coupling sleeve	1	51.05207-0010	51.05207-0010	51.05207-0010
O-ring seal 19x3 B-FKM	2	06.56333-4245	06.56333-4245	06.56333-4245



DRIVE GEARS



Item number	20 1402 08361	20 1402 08362	20 1402 08341	20 1402 08261
Ref. no.*	51.05201-0099	51.05201-0102	51.05201-0077	51.05201-0073
Diameter Ø [mm]	60	60	72	61
Height h [mm]	18	16	16	14
Number of teeth z	18	18	27	23 (helical cut)

* The reference numbers given are for comparison purposes only and must not be used on invoices to the consumer.

