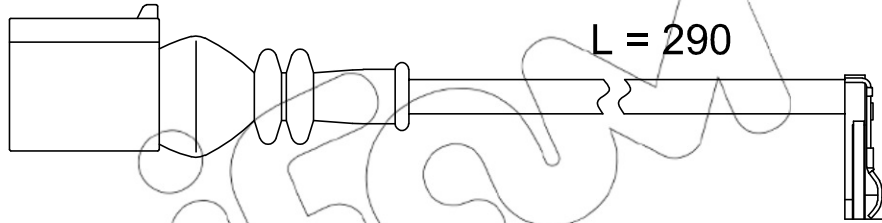
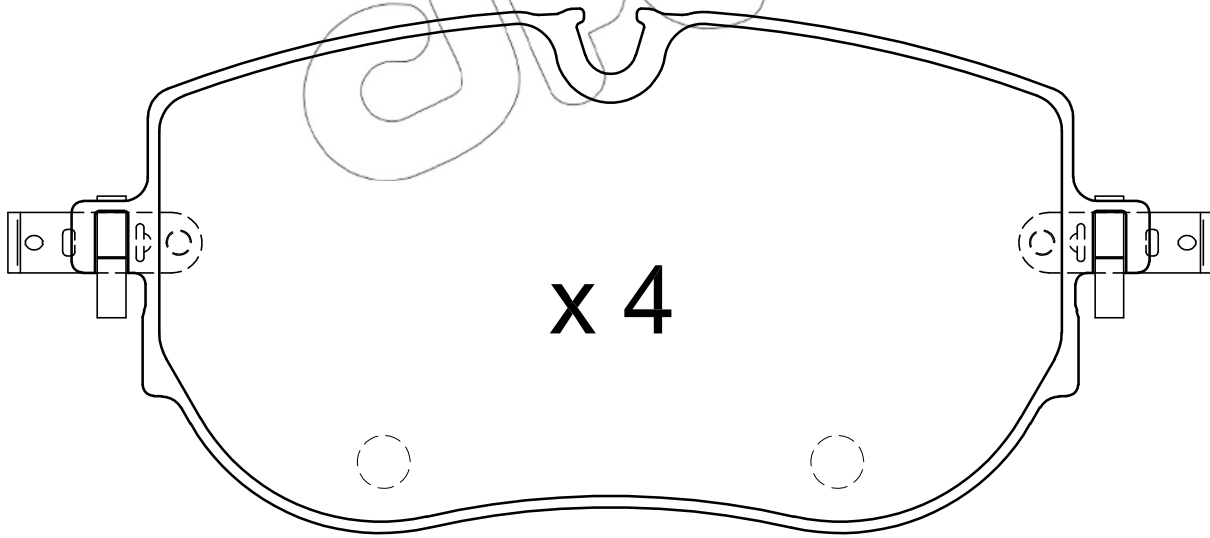


x 1

L = 290



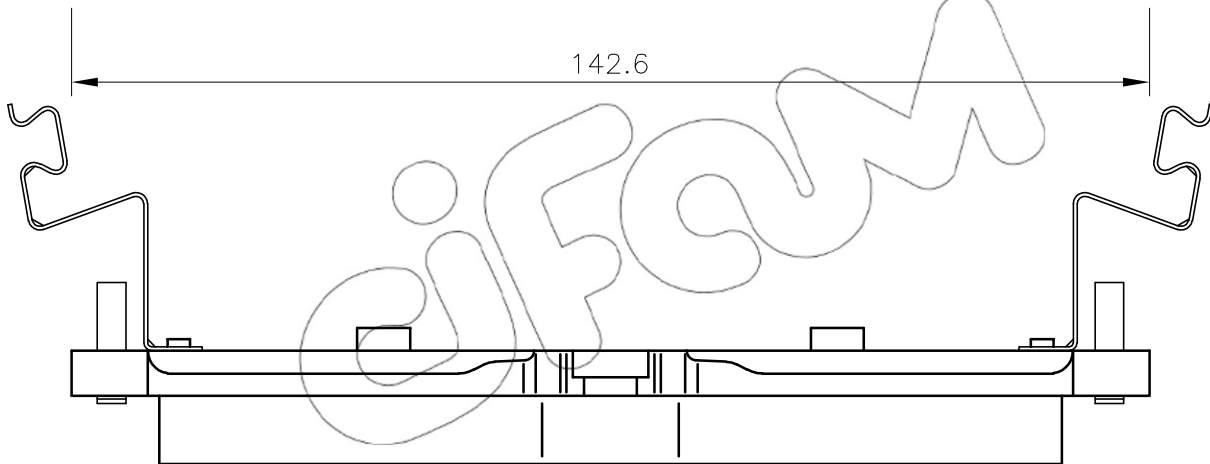
x 4



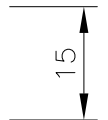
69.4



142.6



15



ifam