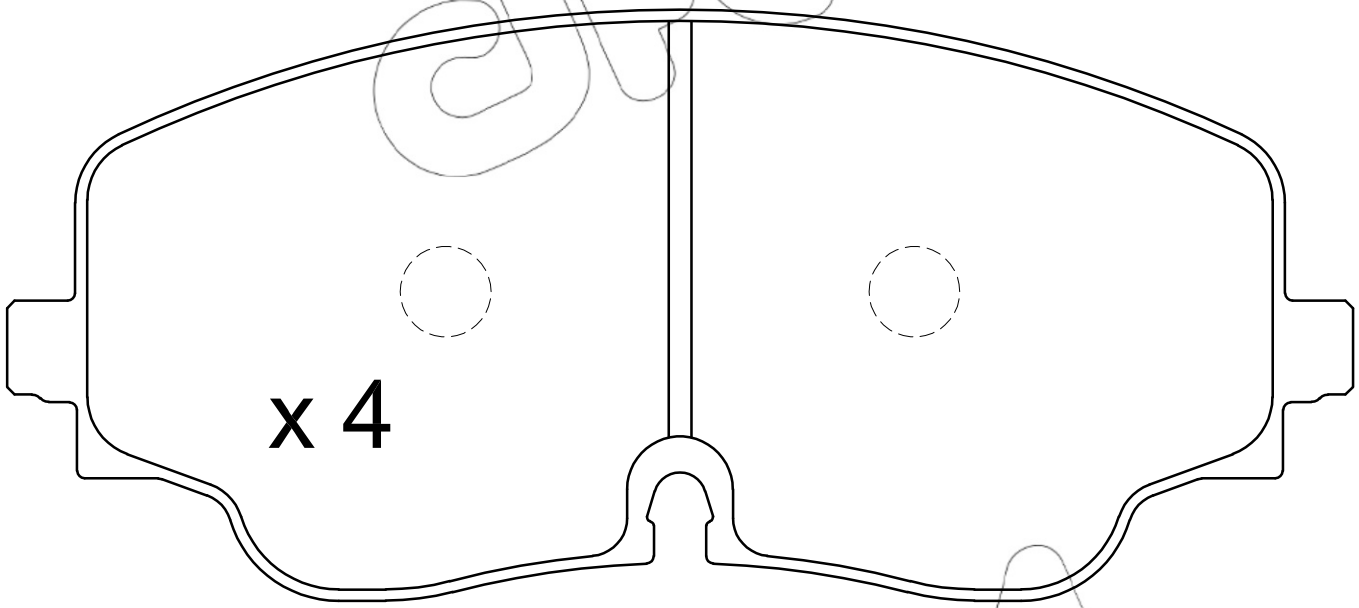
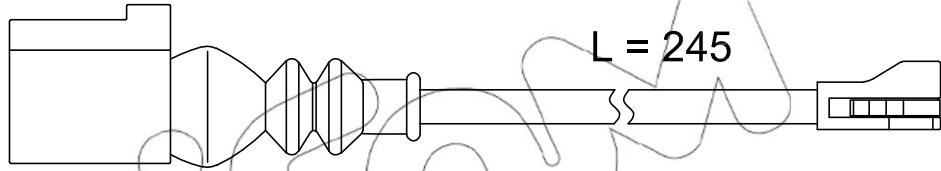


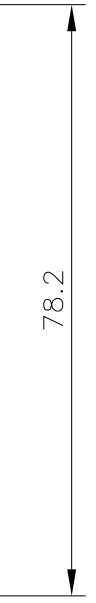
x 1

L = 245



x 4

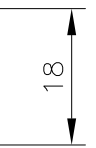
78.2



178



18



difam