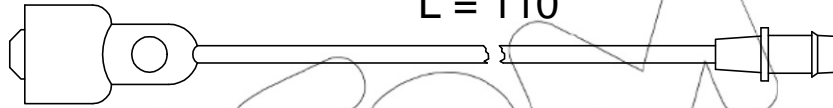
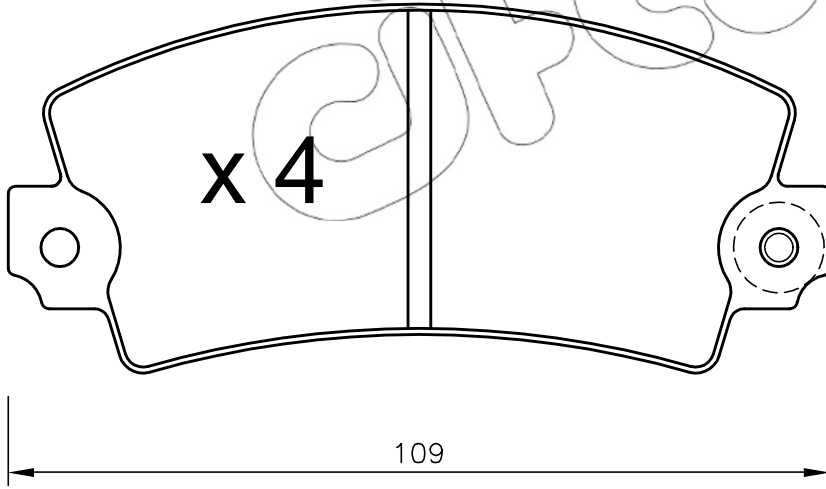


x 2

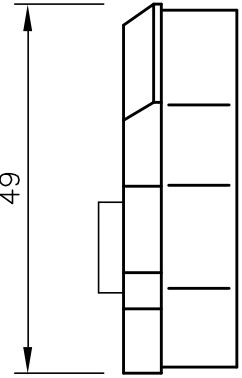
L = 110



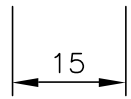
x 4



49



15



iFAM

iFAM