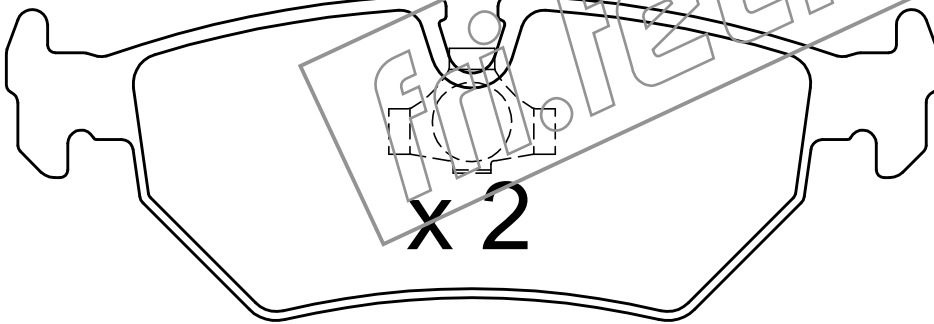


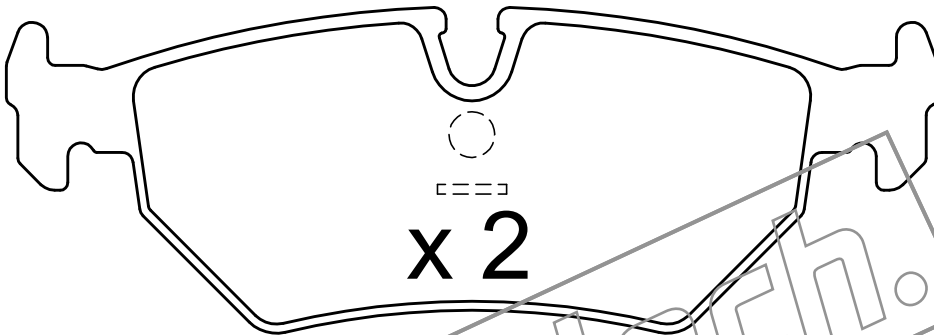
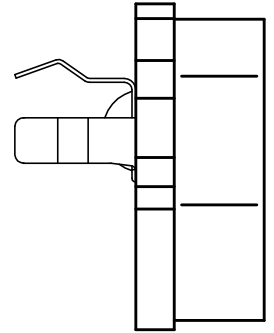
x 2



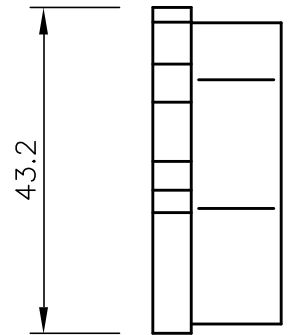
L = 305



x 2

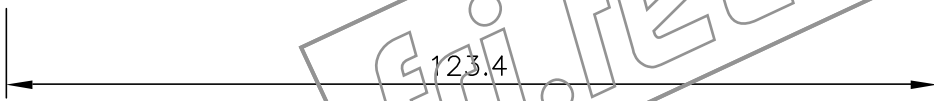


x 2



43.2

17



123.4

fri.tech.