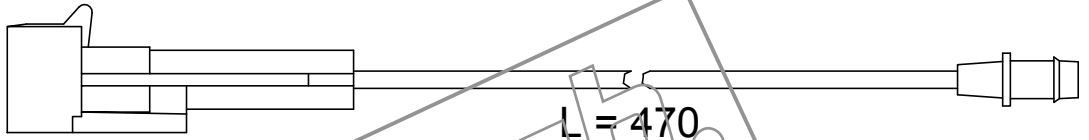
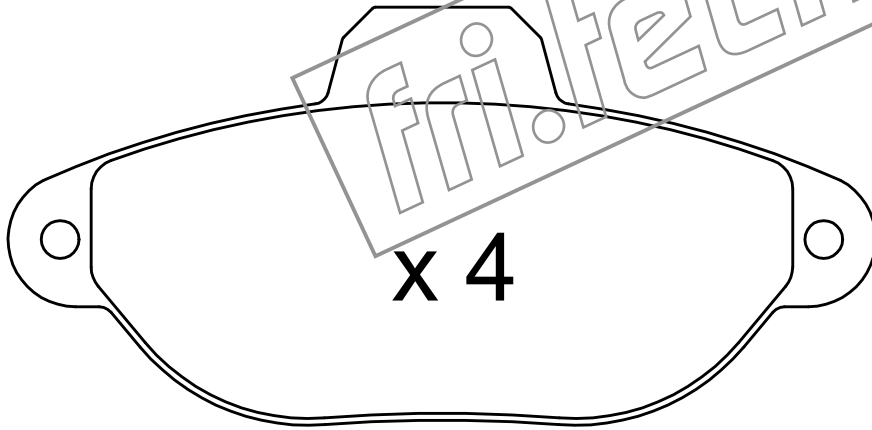


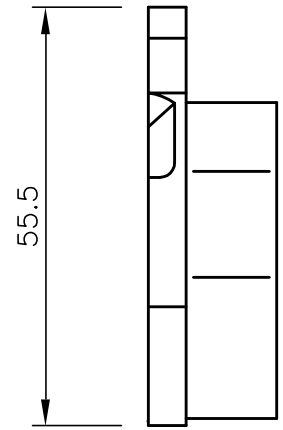
x 1



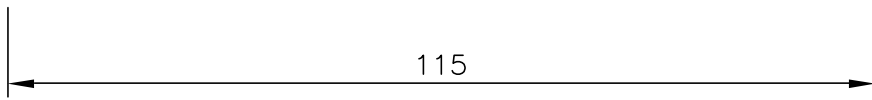
$L = 470$



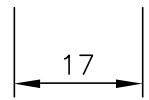
x 4



55.5



115



17

fri.tech.

fri.tech.