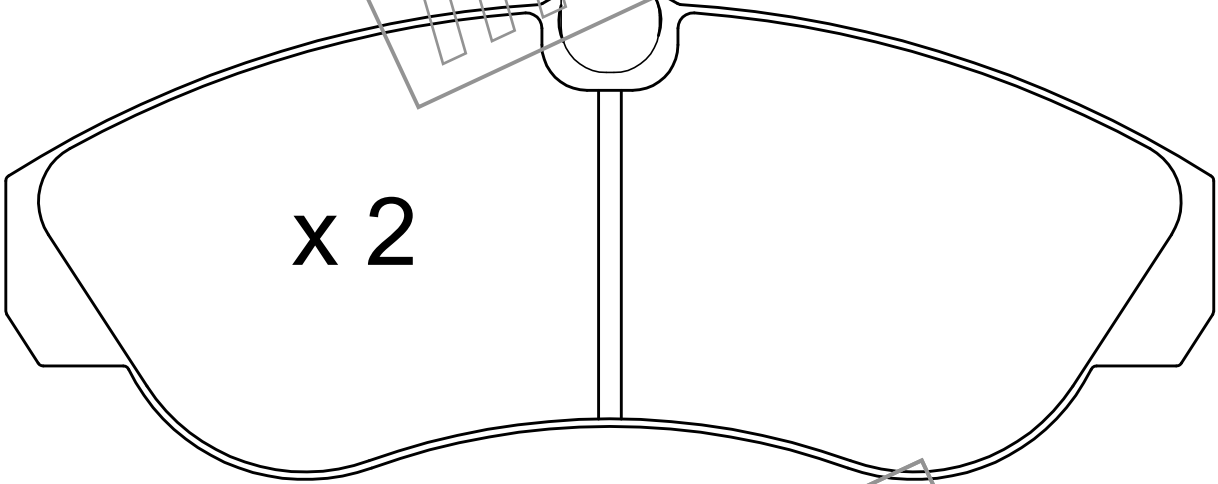
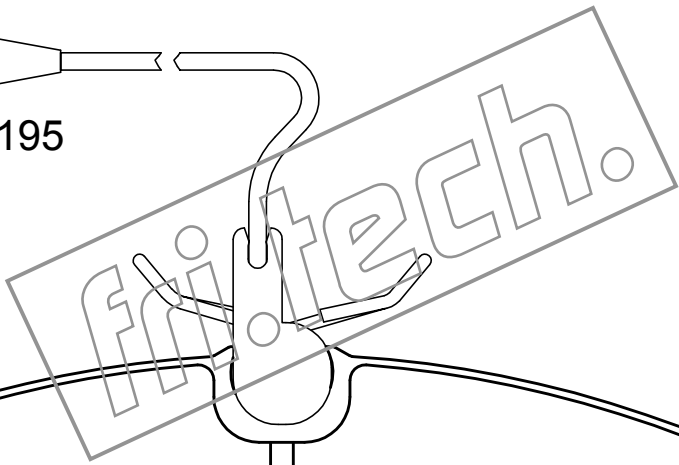
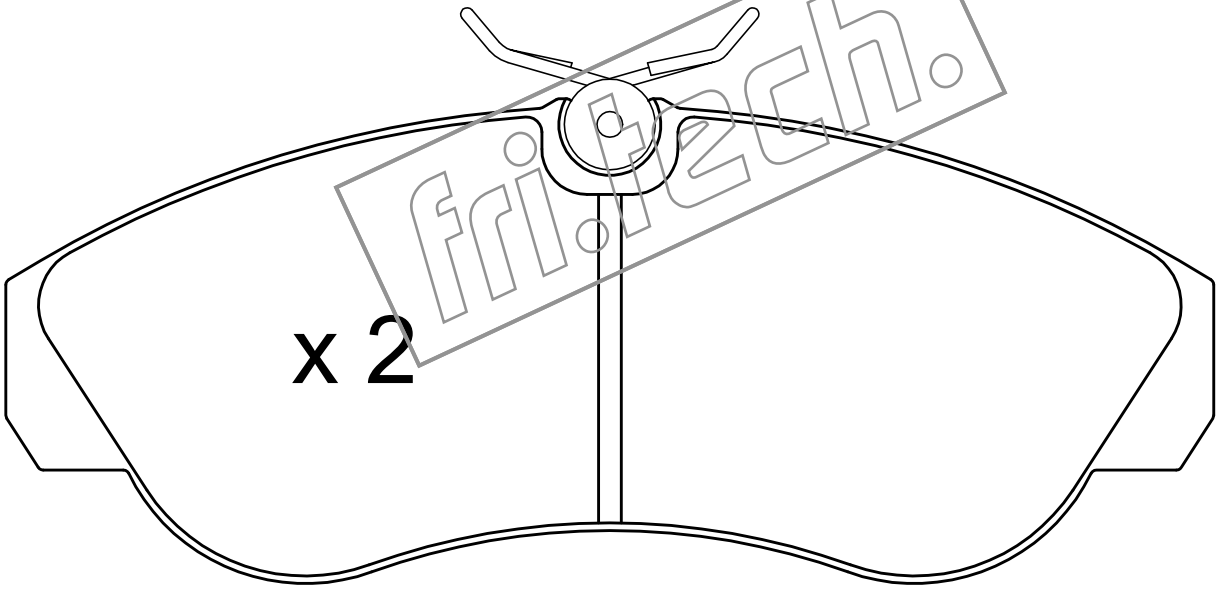


L = 195



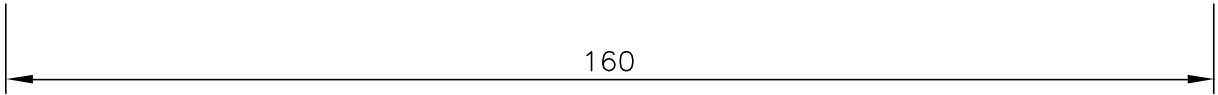
x 2



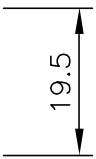
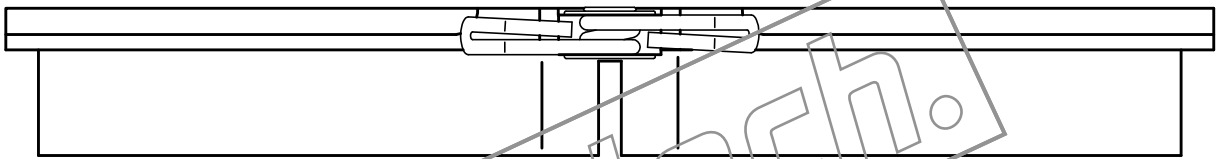
x 2



64.3



160



19.5

