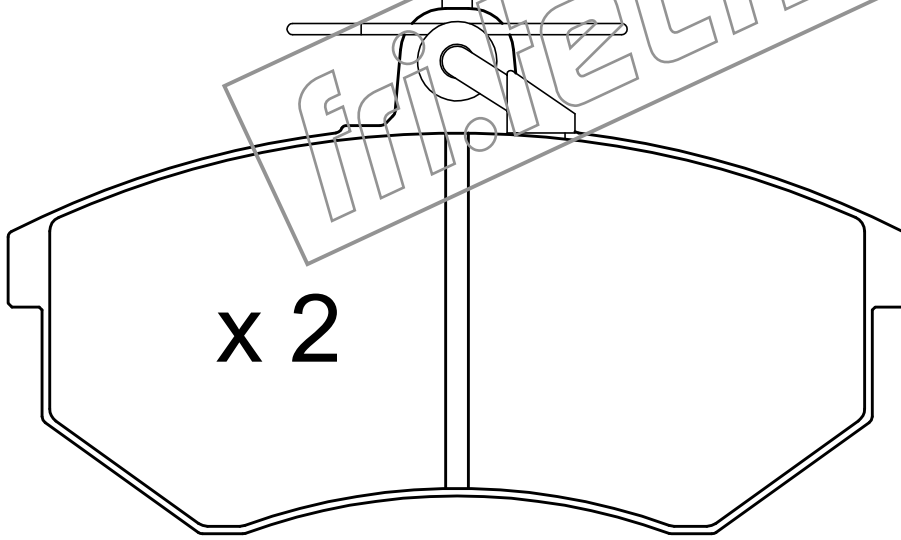
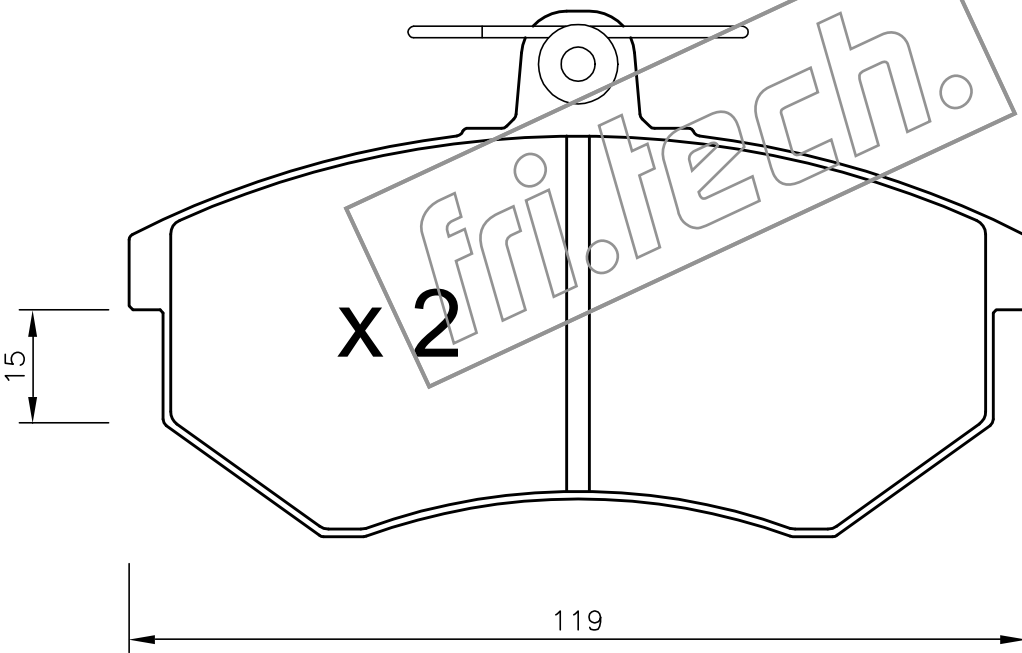
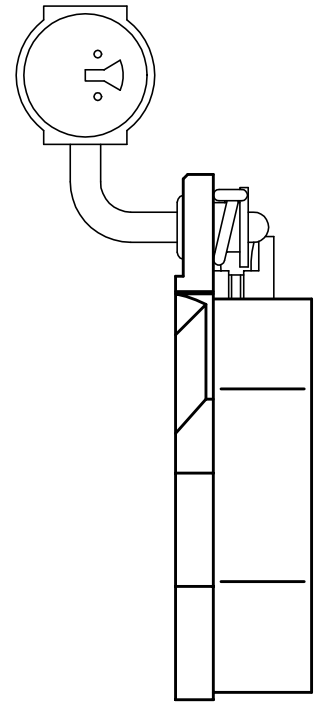


L = 230



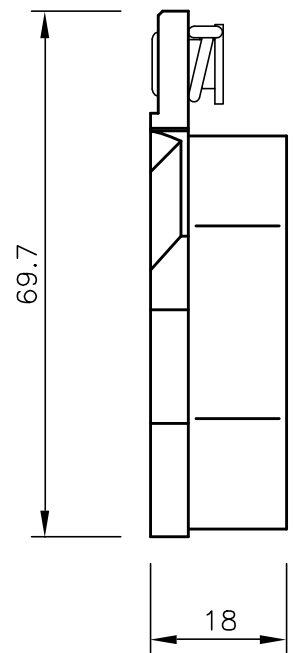
x 2



15

x 2

119



69.7

18

fri.tech.