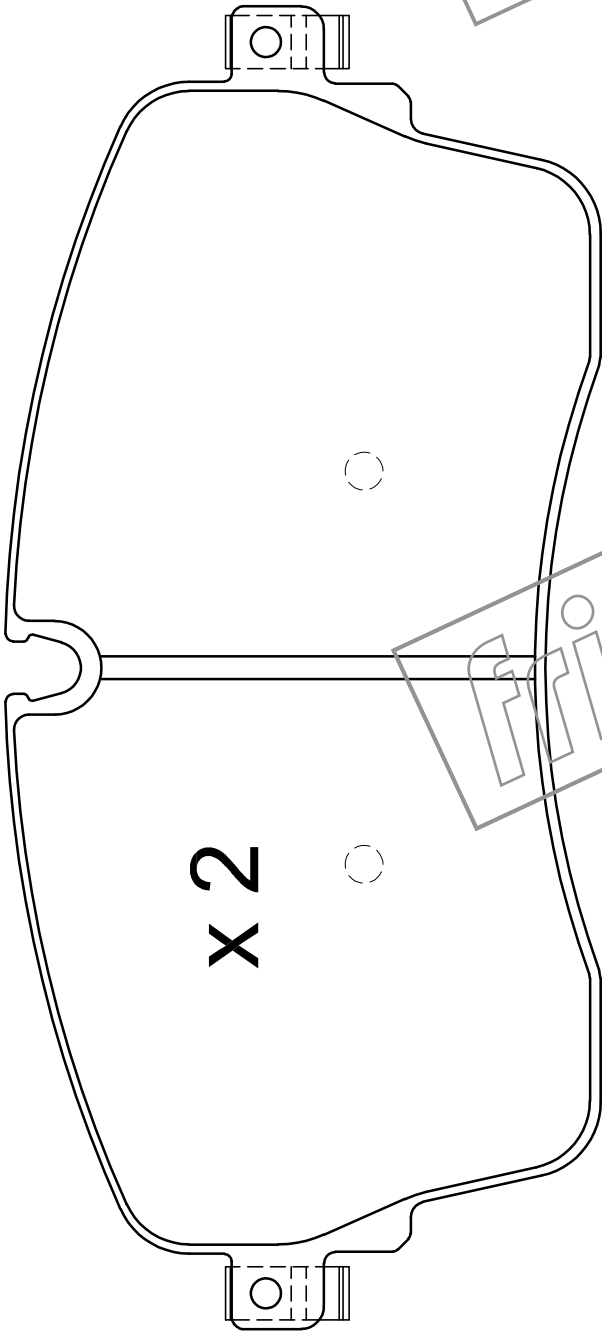


18.5

fri.tech

78.8



x 2

fri.tech

x 2

fri.tech

175.1