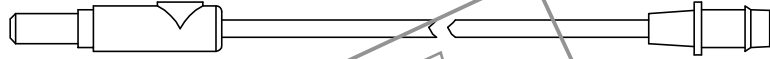
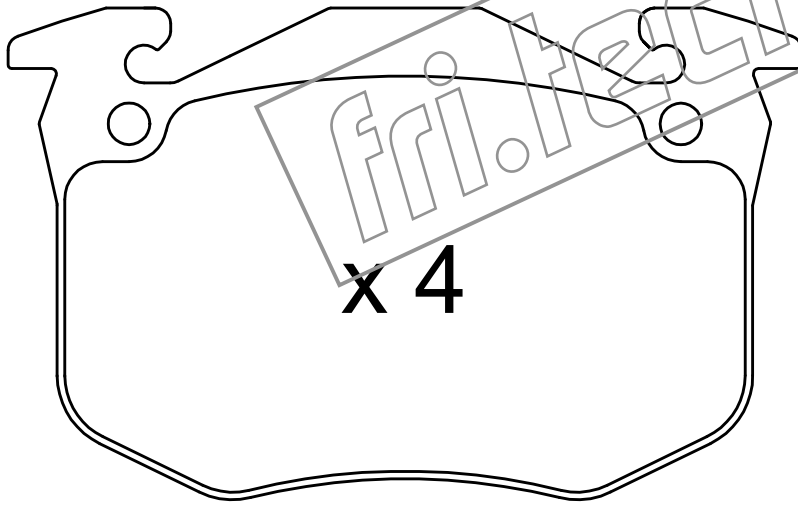


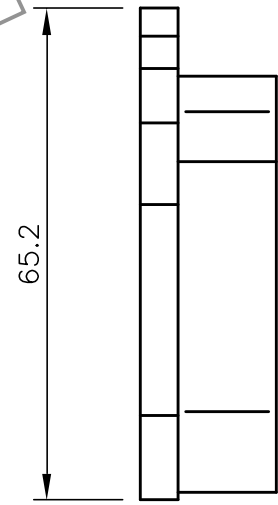
x 2



L = 140

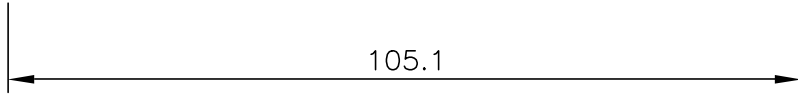


x 4



65.2

18



105.1

fri.tech.

fri.tech.