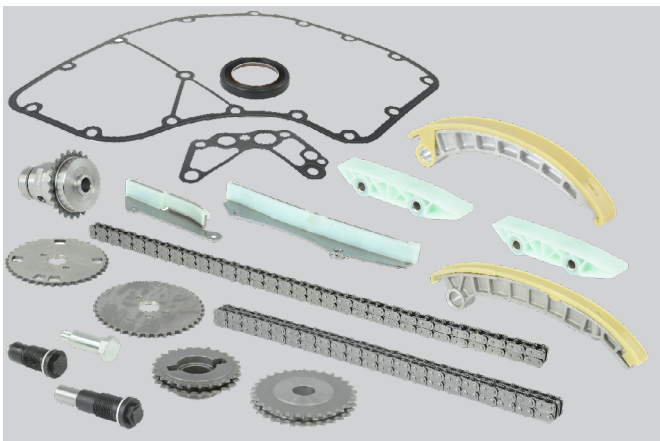


Technical Bulletin

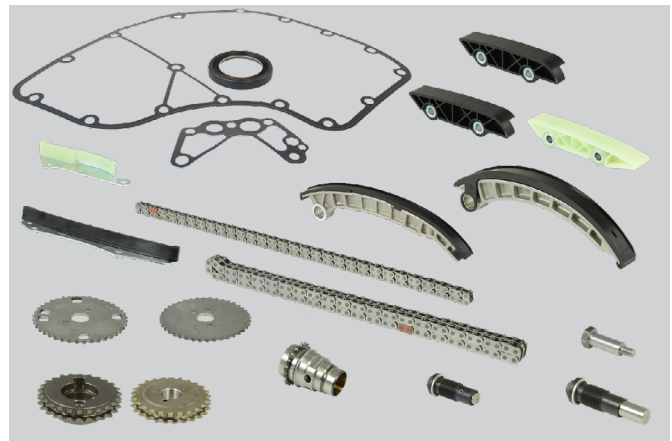
PSA & FIAT IVECO F1CE3481N/D/E (F30DT)

TCK194C vs. TCK194LC



TCK194C

Engine number to: 1442629 & up to emission standard: Euro IV
Contains TCK194NG & TCK195NG



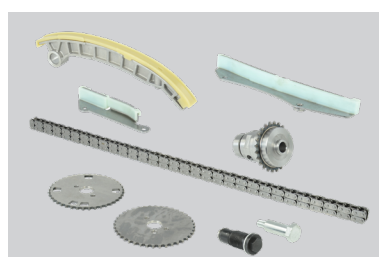
TCK194LC

Engine number from: 1442630 & from emission standard Euro V
Contains TCK194LNG & TCK195LNG

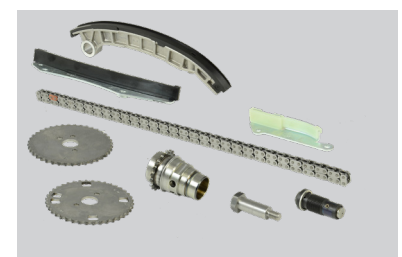
Fitting Position: Upper

TCK194NG - Engine number to: 1442629 & up to emission standard: Euro IV

TCK194LNG - Engine number from: 1442630 & from emission standard Euro V



TCK194NG: Chain:
Simplex, Closed Link, **122**
Links



TCK194LNG: Chain:
Simplex, Closed Link, **120**
Links

Note: Injection Pump Sprocket design on the later **TCK194LNG** is different due to the shorter chain.



TB0002 REV05/22

+44 (0) 1525 351800



faiauto.com

Technical Bulletin

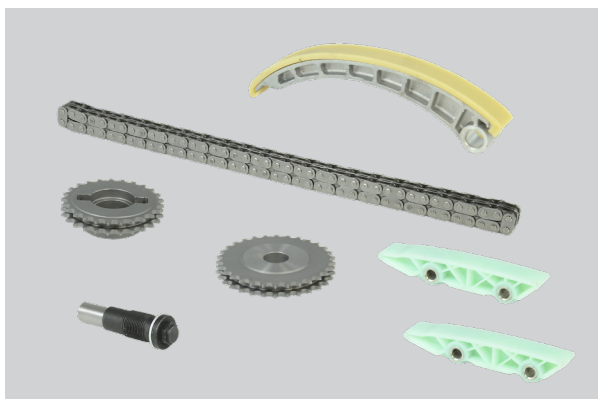
PSA & FIAT IVECO F1CE3481N/D/E (F30DT)

TCK194C vs. TCK194LC

Fitting Position: Lower

TCK195NG - Engine number to: 1442629 & up to emission standard: Euro IV

TCK195LNG - Engine number from: 1442630 & from emission standard Euro V

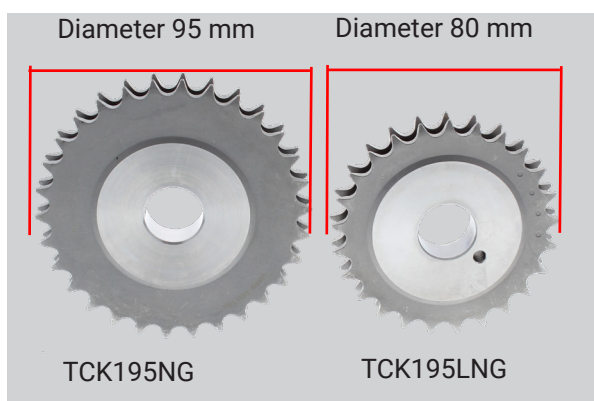


TCK195NG: Chain: Duplex, Closed Link, 84 Links



TCK195LNG: Chain: Duplex, Closed Link, 84 Links

Note: Guide rails and crankshaft gear are different.



Crankshaft Gear



Guide Rails



TB0002 REV05/22

+44 (0) 1525 351800



faiauto.com