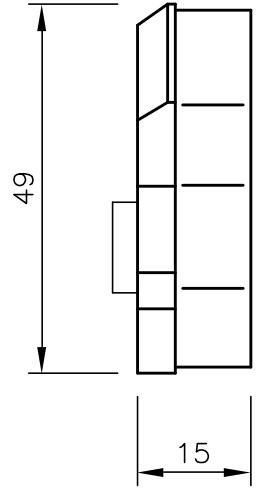
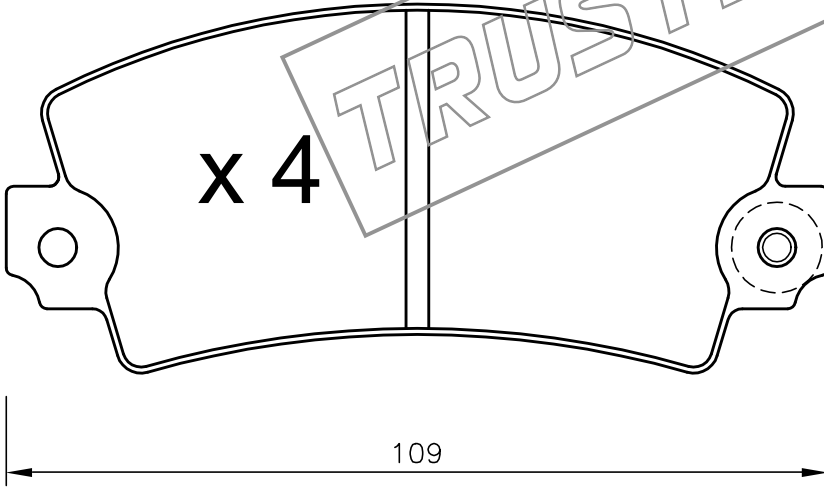
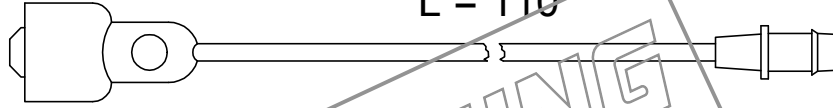


x 2

L = 110



TRUSTING

TRUSTING