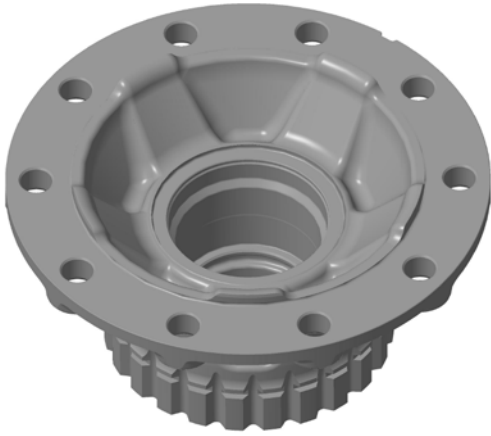
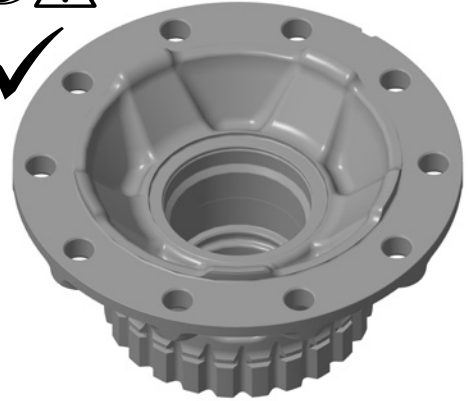


6

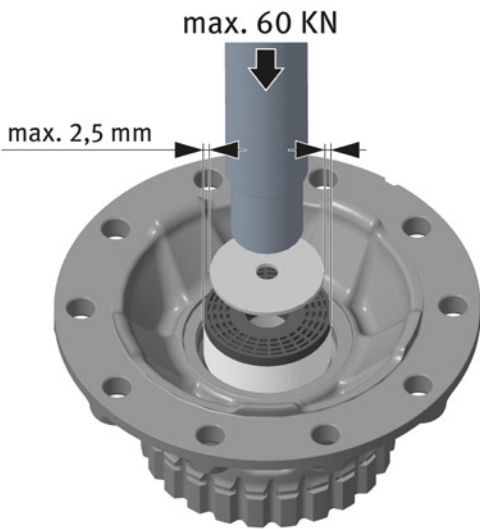


7

OUTBOARD

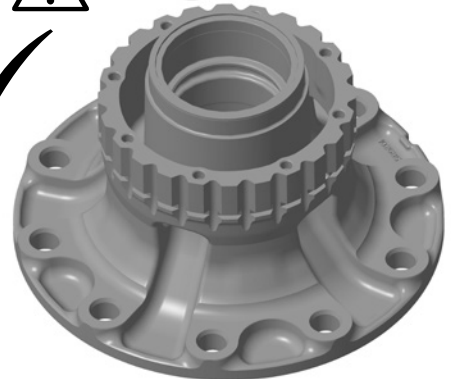


8

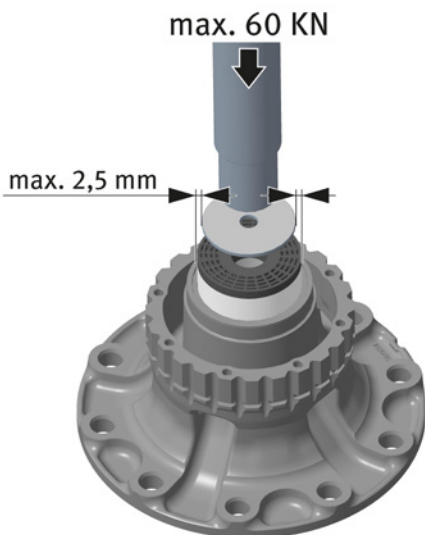


9

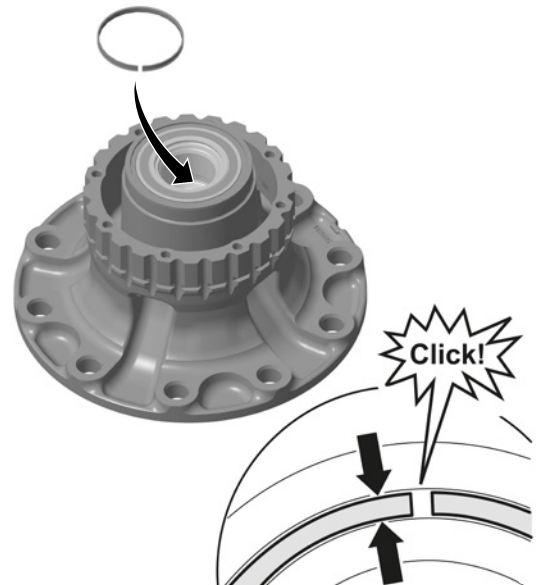
INBOARD



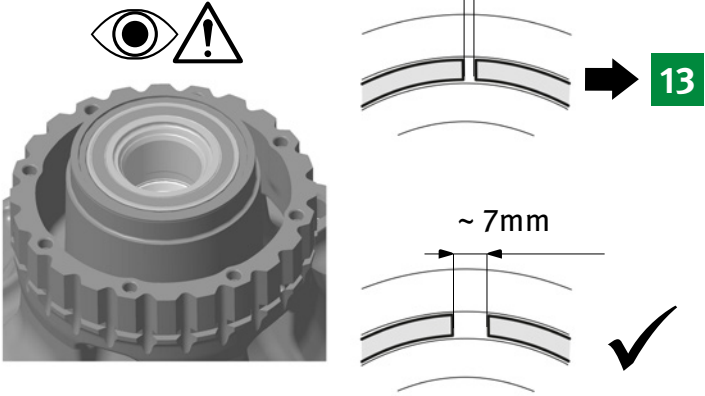
10



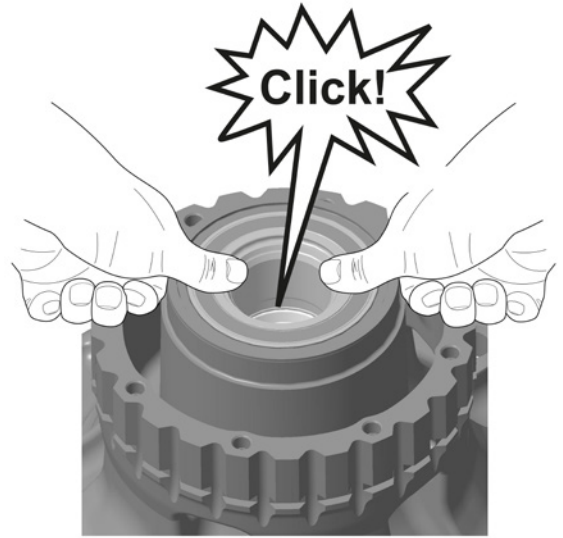
11



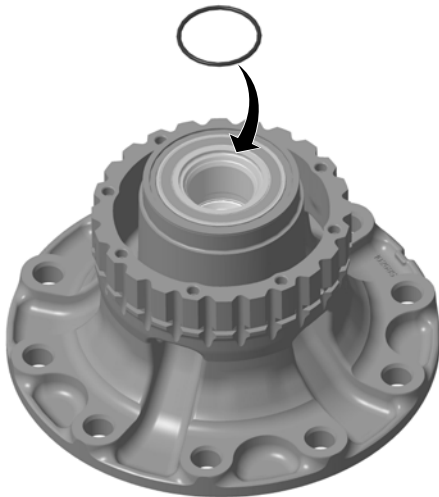
12



13



14



15

