

## MEYLE-HD tie rod end for trucks: Longer part life guaranteed at all operating conditions

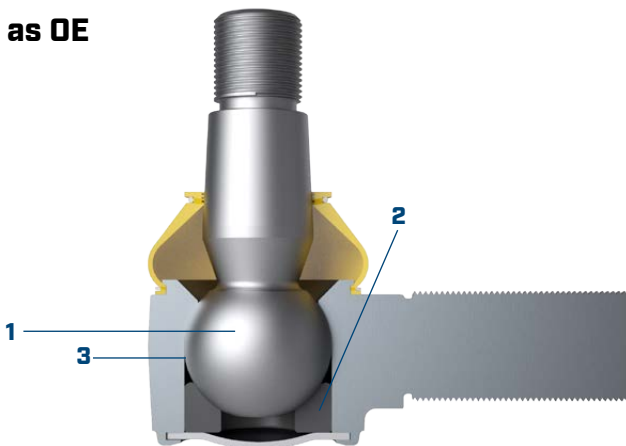
available for DAF | Iveco | MAN | Mercedes-Benz | R.V.I. | Scania

covering OE references such as: MB 000 460 89 48, MB 001 460 36 48, MAN 81.95301.6154, MAN 81.95301.6155\*

To make the part more durable we have optimised the design of the MEYLE tie rod end using more robust materials and this we guarantee with our four-year

warranty. One for many applications: the MEYLE-HD tie rod end fits to various trucks.

### as OE



#### 1. OE ball pin

- ball pin diameter = 40mm
- reduced load bearing capacity, subject to high stress
- rough surface
- high surface pressure

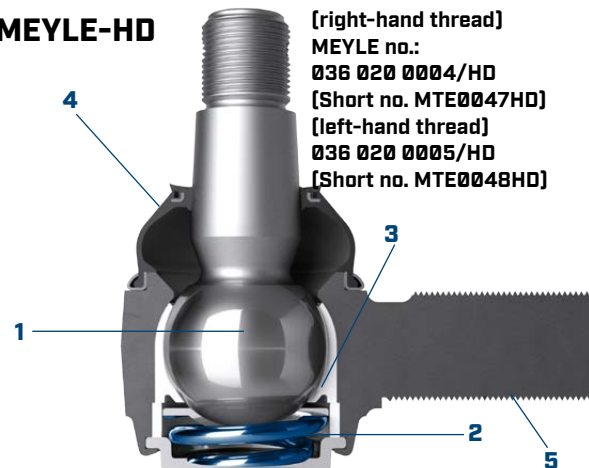
#### 2. Elastomer spring element

- material ageing reduces preload
- limited capacity for tolerance compensation

#### 3. Metal ball seat (metal on metal)

- unfavourable friction pairing

### MEYLE-HD



(right-hand thread)  
MEYLE no.:  
036 020 0004/HD  
[Short no. MTE0047HD]  
(left-hand thread)  
036 020 0005/HD  
[Short no. MTE0048HD]

#### 1. MEYLE-HD ball pin

- ball pin diameter = 45 mm
- load bearing capacity improved by 25%
- reduced wear owing to finely polished surface
- minimised surface pressure

#### 2. Spring system

- permanent compensation for wear thanks to prese joint preload
- long-lasting zero-clearance operation

#### 3. Highly wear-resistant plastic plain bearings

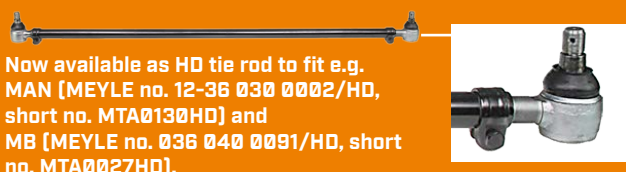
- engineered to withstand highest levels of stress
- ultra-low and even friction

#### 4. High-quality rubber sleeve

- long-lasting sealing performance thanks to radial and axial seal system
- superior splash protection

#### 5. Permanent anti-corrosion protection

- zinc flake coating ensures corrosion-free operation
- no extra varnish required



Now available as HD tie rod to fit e.g. MAN [MEYLE no. 12-36 030 0002/HD, short no. MTA0130HD] and MB [MEYLE no. 036 040 0091/HD, short no. MTA0027HD].

\* The original spare part numbers shown here are for cross-reference purposes only and shall not be disclosed to third parties on invoices and delivery notes.