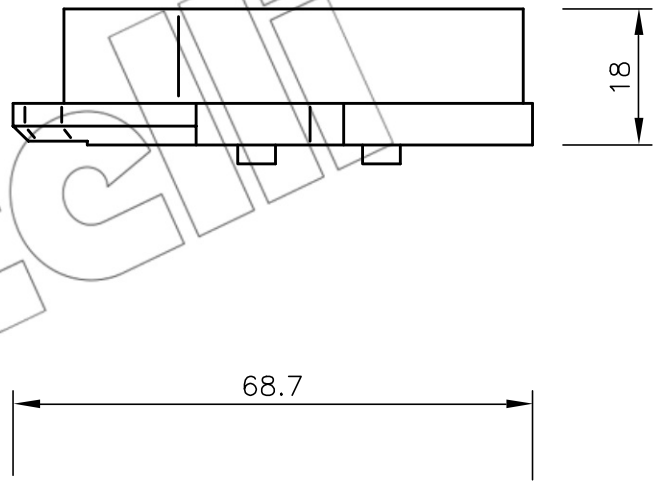


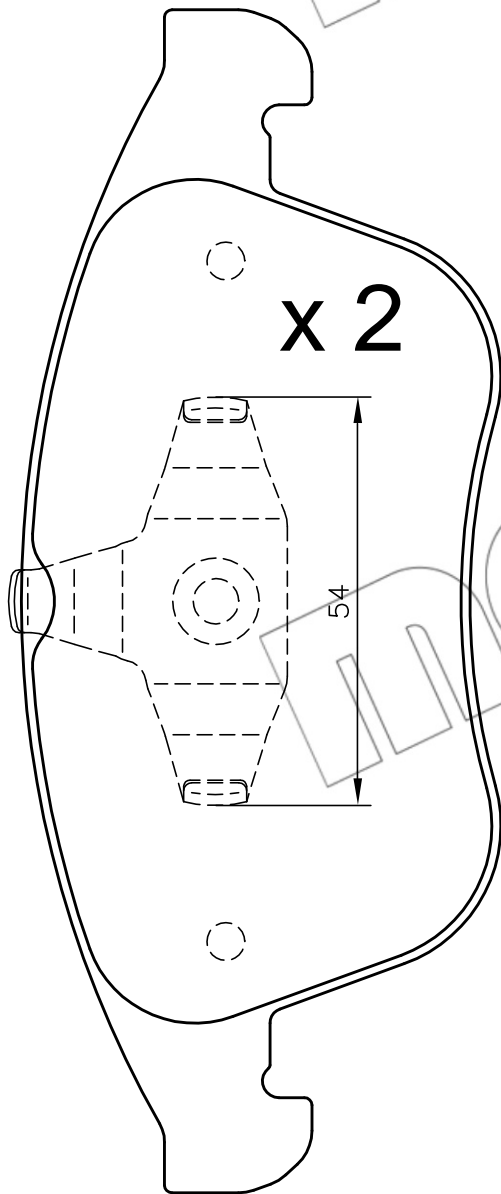
63.5

18



68.7

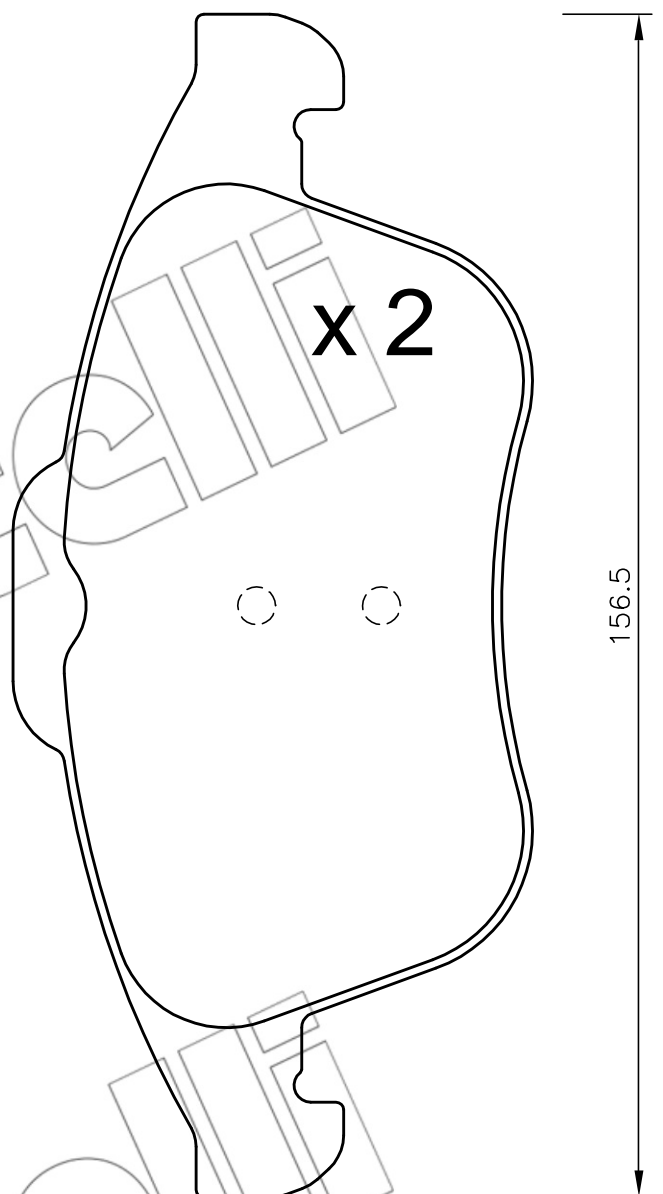
18



x 2

54

155.2



x 2

156.5