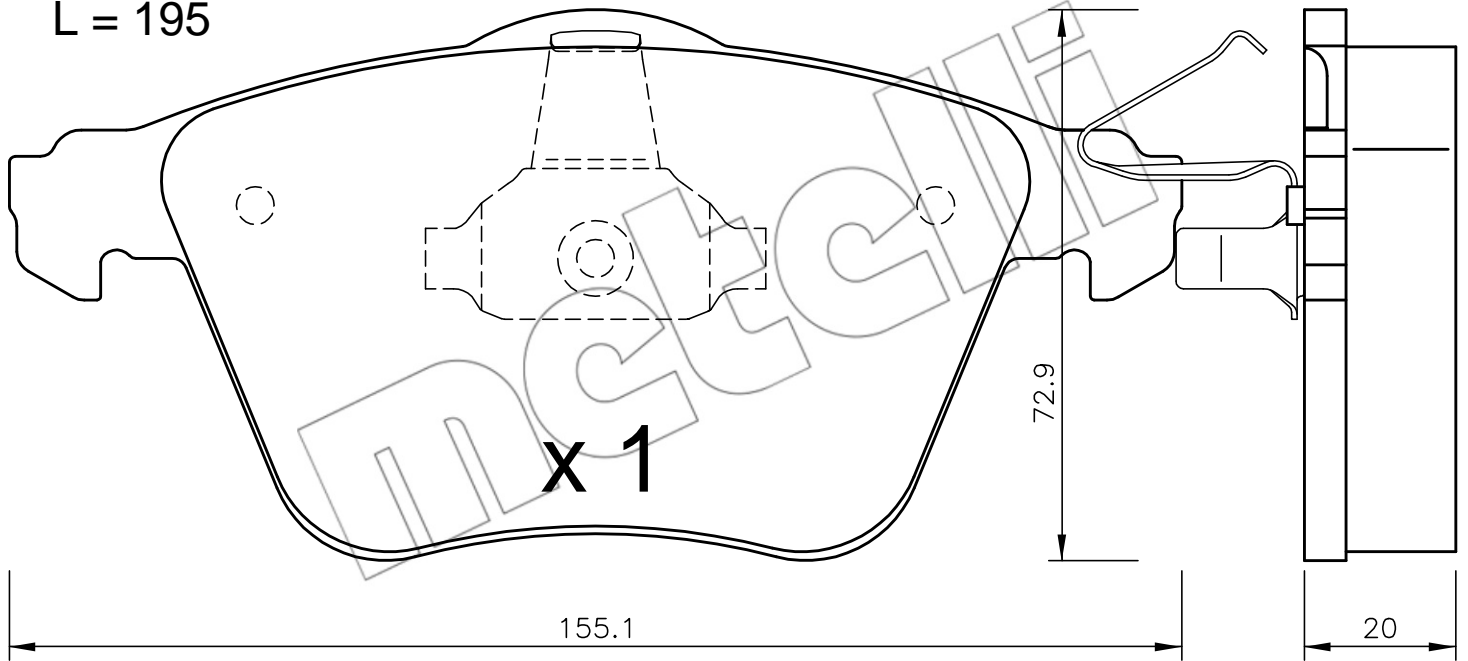


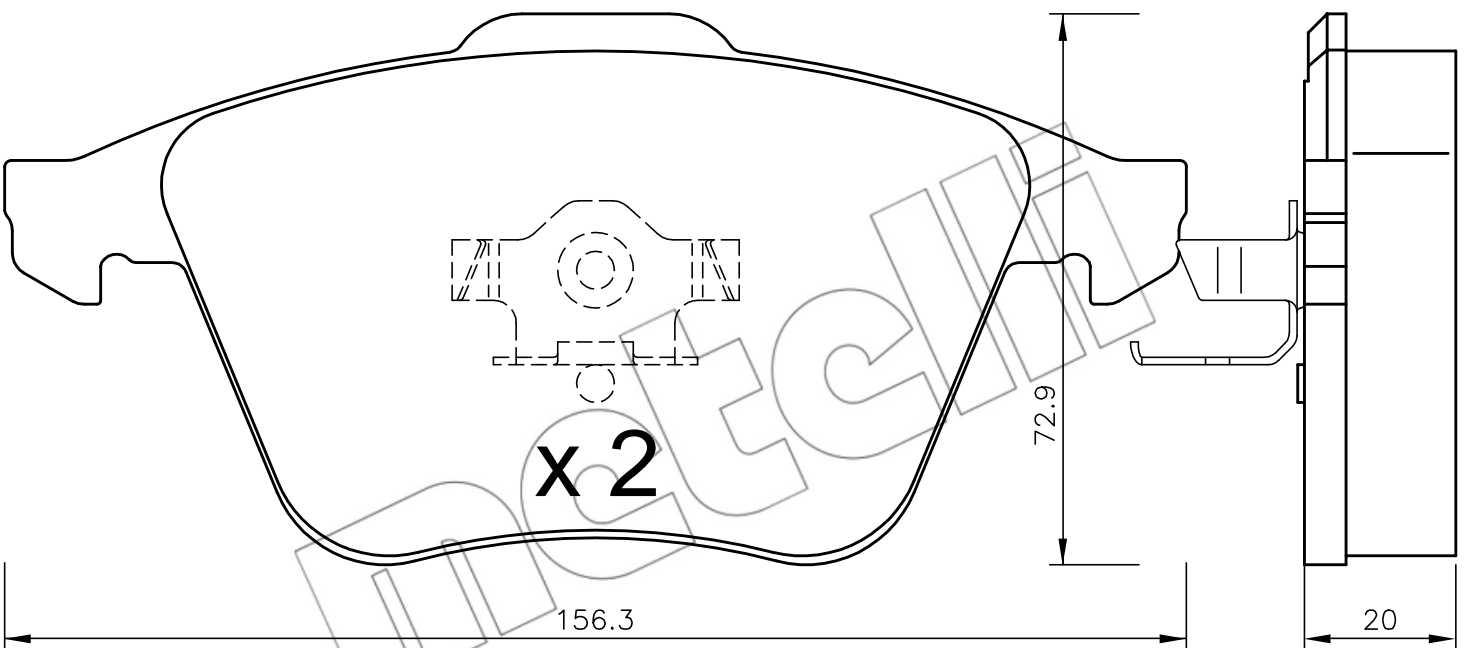
L = 195



155.1

72.9

20



x 2

156.3

72.9

20