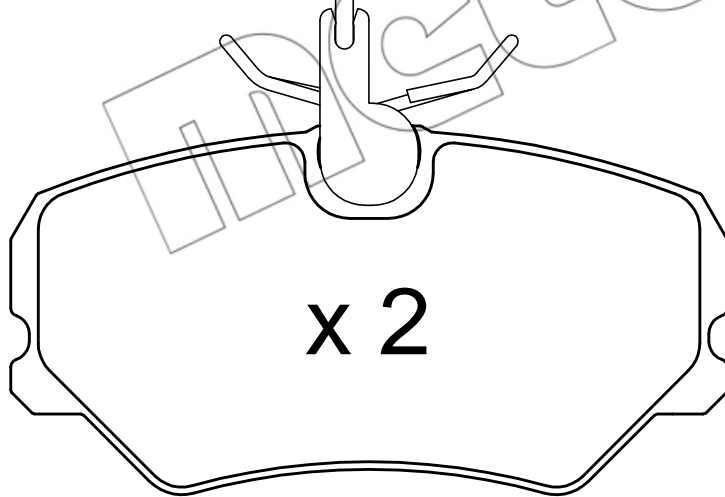
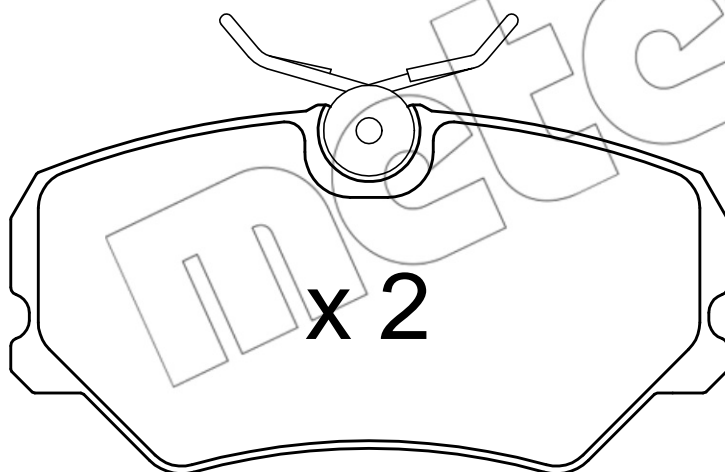
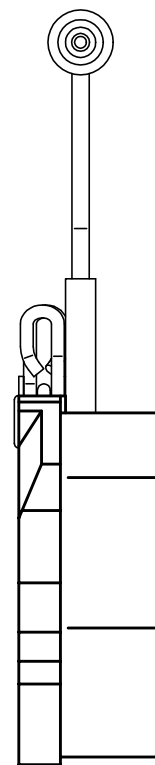


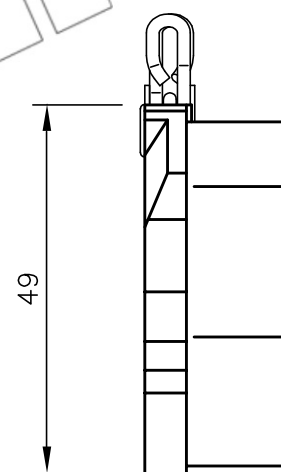
L = 190



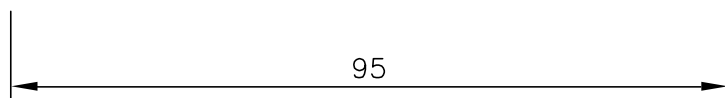
x 2



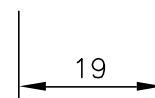
x 2



49



95



19

metelli