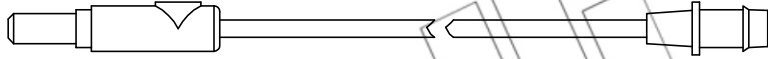
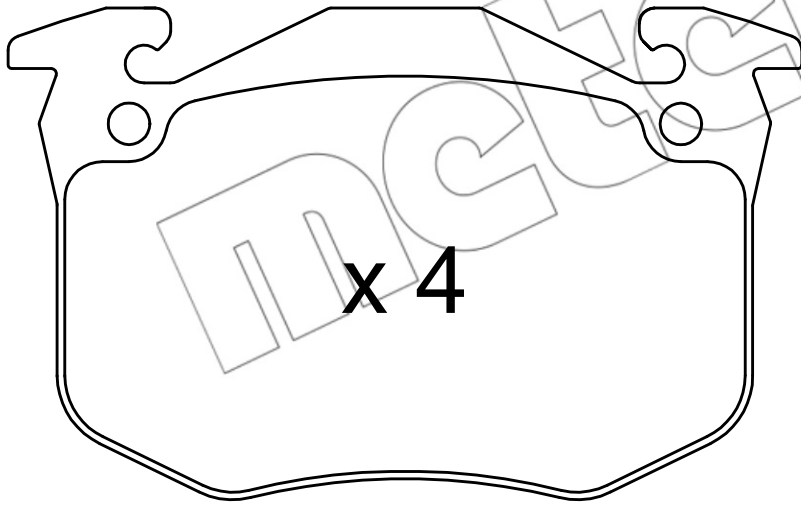


x 2

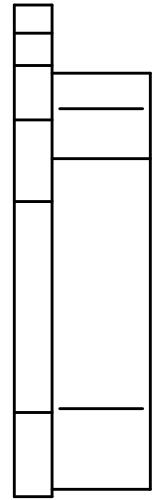


L = 140



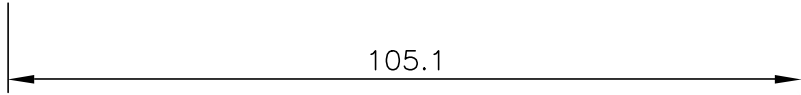
x 4

65.2



18

105.1



metelli

metelli