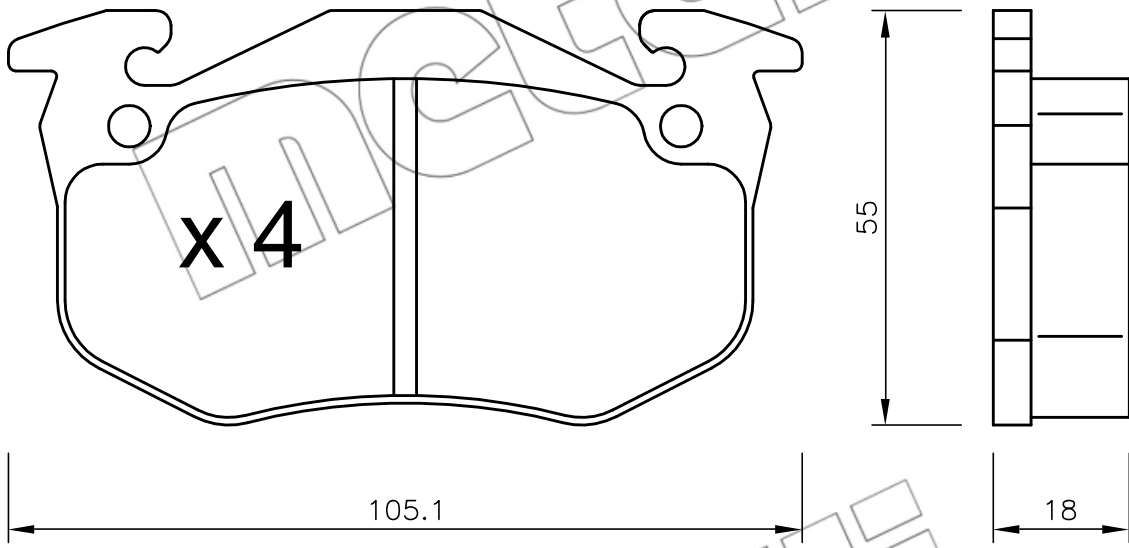


x 2 L = 140



metelli

metelli