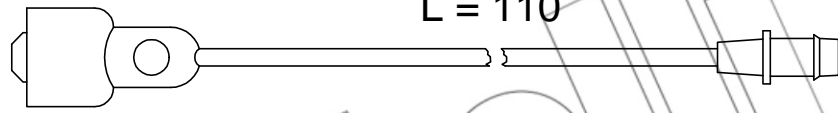
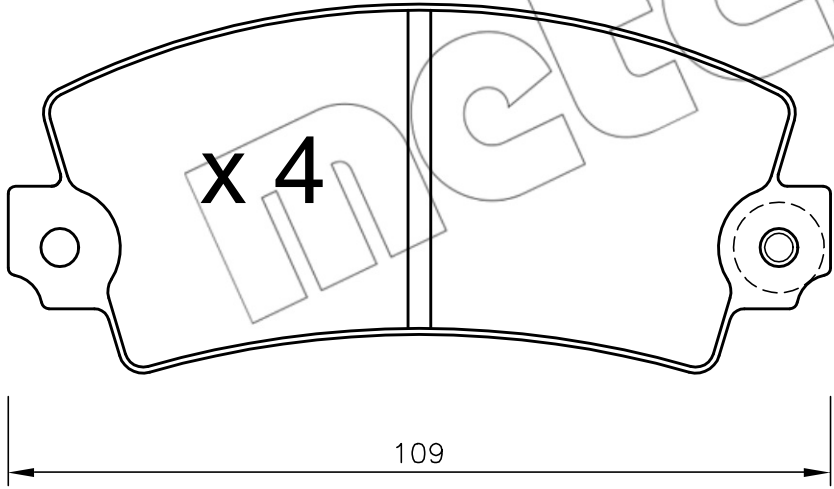


x 2

L = 110

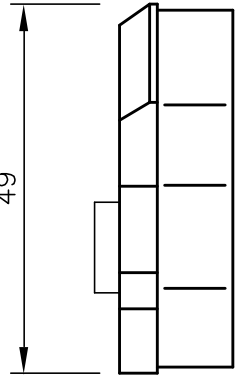


x 4

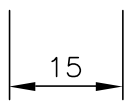


109

49



15



metelli

metelli