

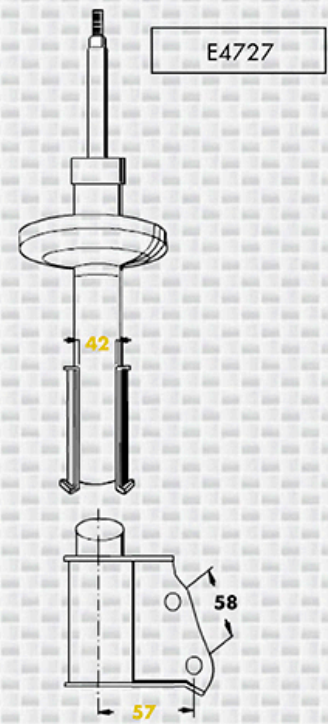
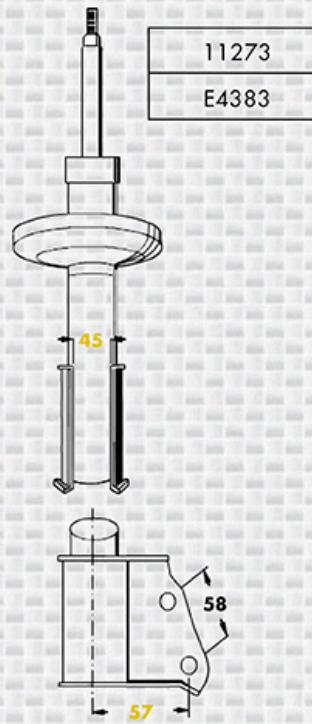
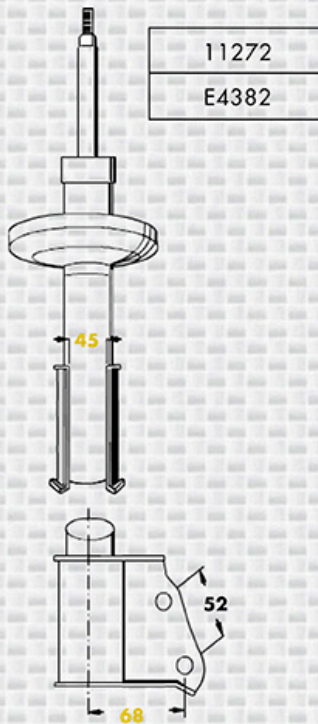
SHOCK ABSORBER IDENTIFICATION

Renault Clio II



FI088EU

- It is important to identify the correct shock absorber for Renault Clio II applications.
- Please view diagrams below to ensure the correct Monroe® part number is refitted.



In the case of wrong shock absorber choice, the vehicle alignment will be severely affected (especially the toe angle) causing rapid tire wear. These shock absorbers do not have the same operating characteristics.