

PRODUCT IDENTIFICATION


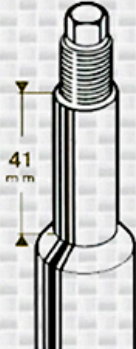
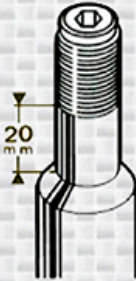

BMW 5 Series Except M-Technik*



FI046EU

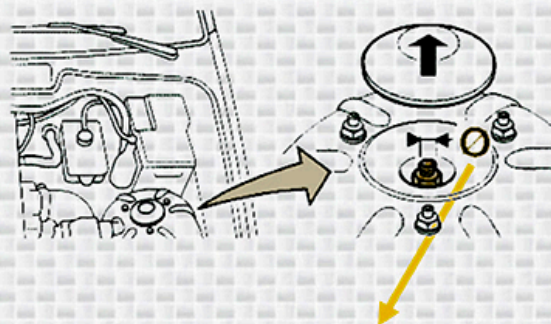


See Technical Bulletin FI044EU

88 > 7.90 Ø=12 mm		8.90 > Ø=14 mm	
MONROE® part number		MONROE® part number	
MG318	MG308	MG318	MG312
			

For complete application details, see the general catalogue

Discontinued



Remove the cap and measure the Ø of the threaded rod.

TIGHTENING TORQUES	daN.m
Top stem nut	6.4
Upper mounting nuts	2.2
Cartridge locking ring	13
Anti-roll bar connection rod	5.9