

FITTING INSTRUCTIONS

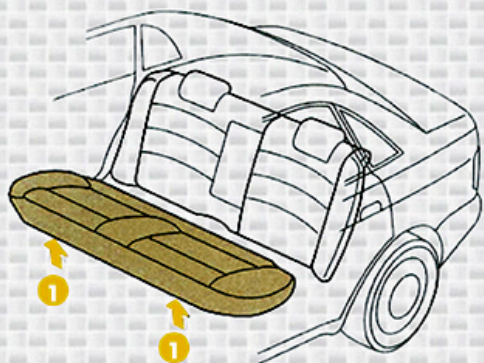
HOW TO GET ACCESS TO THE UPPER SHOCK ABSORBER MOUNTINGS

Audi A4 Saloon & Estate



FI064EU

- Upper shock absorber mountings are accessible after removal of the back seat.



AUDI A4 saloon and break:

- 1 Release the seat clips and put aside.
- 2 Release the cushions 2.
- 3 Remove the back seat :

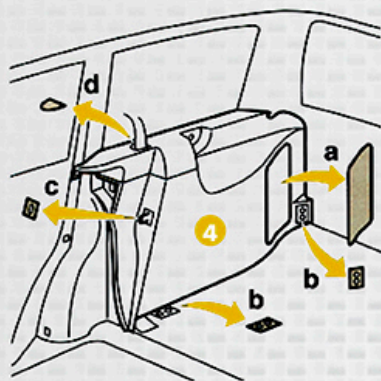
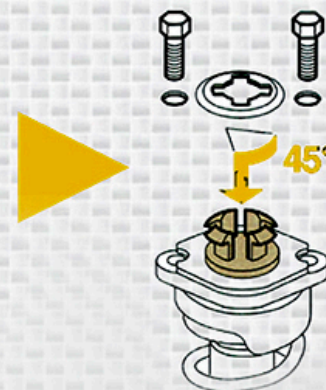
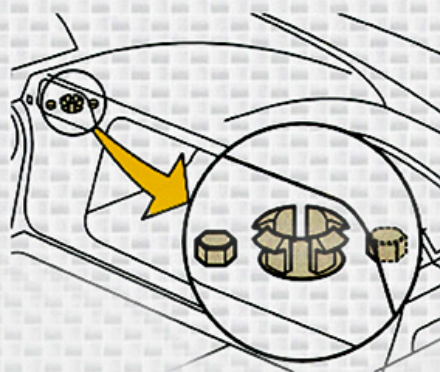
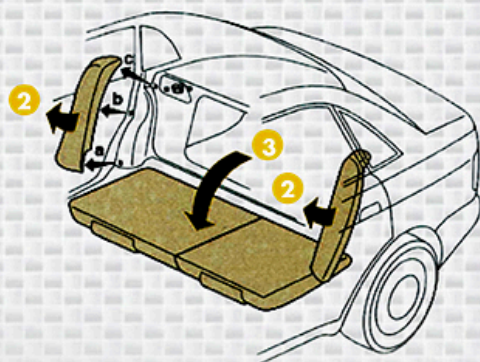
A Fold the back seat and release the inner clamp

B Release the seat from the side hook.

C Release the upper clamp by compressing and pushing the back seat upwards at the same time.

AUDI A4 saloon:

The mountings are now accessible.



AUDI A4 break:

4 Remove the accessories around the lateral cover of the trunk :

A remove cover.

B remove as shown.

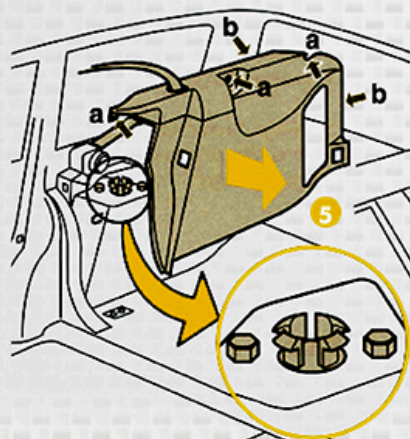
C pull-off the hub cap of the back seat.

D release the cover of the seat belt

5 Remove the lateral cover of the trunk :

A release the 3 bolts.

B unclip the 2 retainers.



- Top mountings are now accessible.
- The removal process of this shock absorber is now identical to the Saloon version.

| | | TIGHTENING TORQUES | daN.m |
|--|---|--------------------|-------------|
| | A | Upper mounting | 2.5 |
| | B | Piston nut | 2.5 |
| | C | Lower mounting | 5 + 1/4turn |