

PRODUCT IDENTIFICATION VISUAL DIFFERENCES

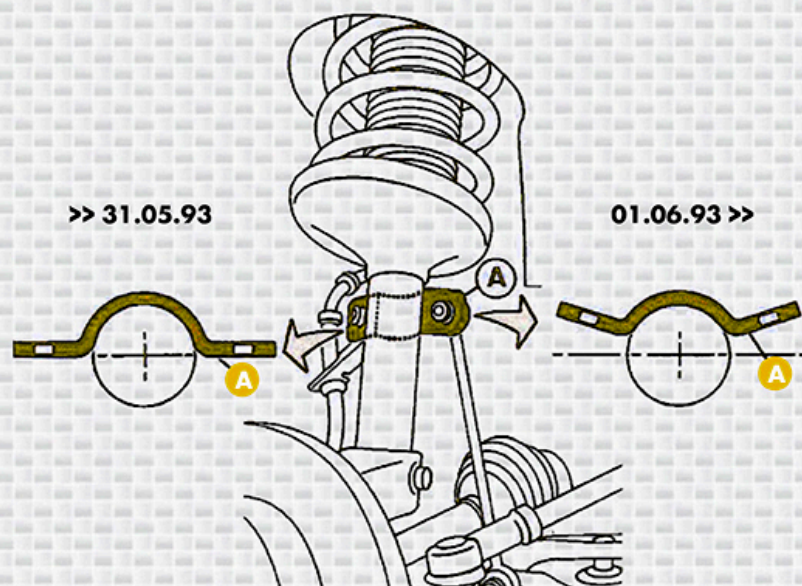
Ford Mondeo Except 4X4*



FI042EU

* 4x4: 4 Wheel drive.

Discontinued



TIGHTENING TORQUES	daN.m
Rod Nut	4.6
Intermediate Nut	5.9
Flange Nut "A"	8.4
Stabilizer bar nut	5