



Mercedes-Benz

Actros / Axor / ...

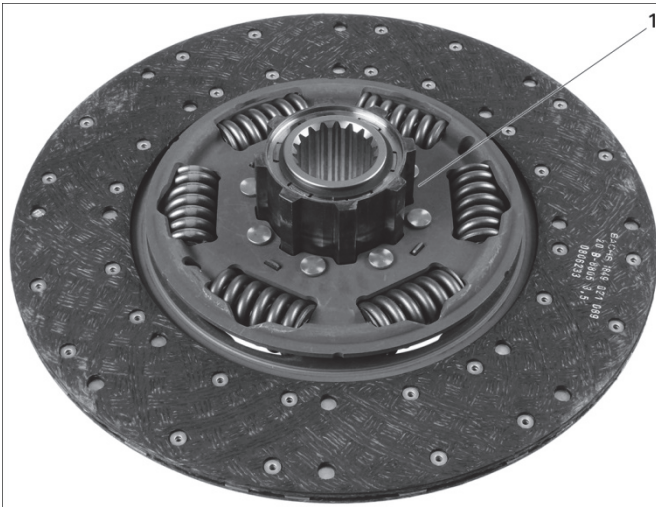


Fig. 1: Previous design (example)

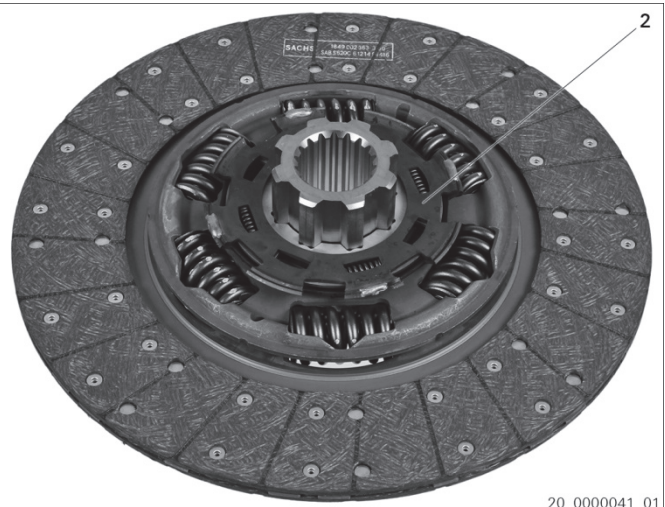


Fig. 2: New design (example)

20\_0000041\_01

1 Hub/bushing

2 Coupling plate

The twin plate clutch has been developed further and its design has been adapted to the changed technical requirements. The previous design with the hub/bushing (Fig. 1) was replaced by the new design with a coupling plate (Fig. 2).



The components of the various designs cannot be installed together!

Design of the clutch		Article no.		
Coupling plate (Fig. 2)	Hub/bushing (Fig. 1)	Clutch kit	Clutch pressure plate	Clutch disk
•		3400 700 648	3488 000 398	1878 007 185
		3400 700 649	3488 000 399	1878 007 185
		---	3488 000 400	1878 007 185
	•	3400 121 501	3488 023 031	1878 002 024
		3400 700 355	3488 000 158	1878 002 019
		---	3488 000 102	1878 002 024

Replacement chain
3400 121 501 → 3400 700 649
3400 700 355 → 3400 700 648
3488 000 102 → 3488 000 400 + 1878 007 185



[www.zf.com/serviceinformation](http://www.zf.com/serviceinformation)