

TORQUE ROD 938503

TECHNICAL INFO NO. 2009

VEHICLE MANUFACTURER/MODELS:
MAN | M90, M2000, M2000L

APPLIES TO PART NO.:

No.	RUVILLE-No.:	OE-No.:
1	938503	81.43220-6140
		81.43220-9140

IMPORTANT NOTE!
 RUVILLE PARTS ARE BASICALLY NEW (NO CONDITIONED EXCHANGE PARTS)

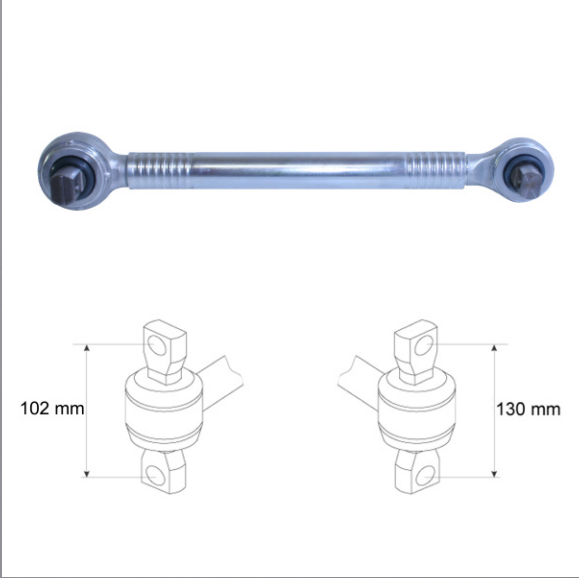


Image 1: 938503

MAN Series M 90, M 2000, M 2000L are factory-provided with braces of different width for the torque rods.

To avoid wrong orders, please have a close look at the joint's different gauge for the damping jaw.

For a certain time, torque rod 938504 has been in our product portfolio. It has got ball joints of a width of 130mm on each side.

In course of permanent programme extensions, we now have introduced the new 938503 torque rod to our range. Compared to 936504 it has different ball joints of 102mm and 130mm gauge (displayed in Image 1) .

- Quality characteristics:**
- galvanised Cr (III) surface
 - ball joints with friction bearings
 - OE quality



INFORMATION
 The corresponding spare parts can be found in our online catalogue at unter www.ruville.de