



**0005** Technical Service Information

Concerns: **71-19722-00**  
Make: Mercedes Benz  
Model: Semi-ring

## Semi-ring installation instructions

### Semi-ring installation instructions

- Place semi-ring in groove
- Press semi-ring in place
- Trim semi-ring to size

**Note:** The excess must be determined according to material (shrinkage with an oil temperature of 150°C).



Template for cutting the semi-ring excess to size.  
0.7 mm thick for stacked aramid fiber.

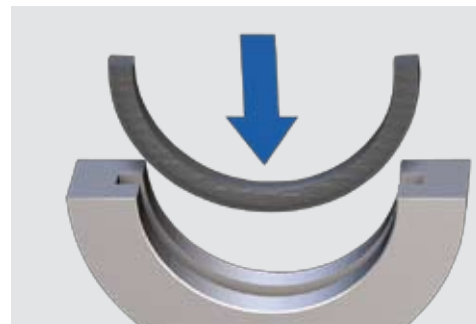


Fig. 1\_Place semi-ring in groove

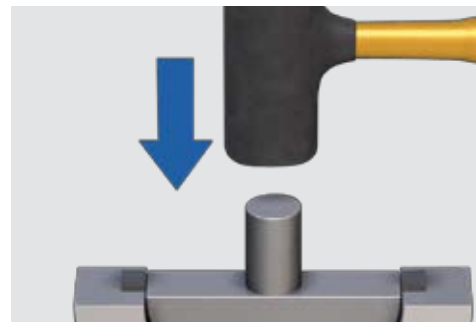


Fig2\_Press semi-ring into place

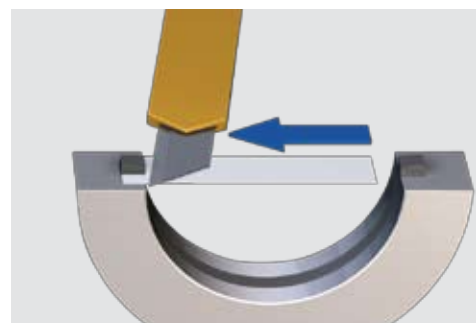


Fig. 3\_Cut semi-ring to size

**VICTOR REINZ – the easiest way to get a good gasket.**